

<b>Year</b>	<b>No.</b>	<b>Product</b>	<b>Subject</b>
1992	01	All	New price list
1992	02	F lenses	Modification kit TCC
1992	03	205TCC	New Service Manual
1992	04	Winder TCC	New Service Manual
1992	05	205TCC	Various modifications
1992	06	FE lenses	New Service Manual
1992	07	Ext. tube 16, 32, 56TCC	New Service Manual
1993	01	500/553ELX	Inner cover, screw changed
1993	02	2000/2003FCW	Modified release arm
1993	03	2000/2003FCW	Modified release mechanism
1993	04	205TCC	New tools
1993	05	205TCC	Modified release button
1993	06	Magazines	Modified picture frame
1993	07	All	New price list
1993	08	Various accessories	New Service Manual
1993	09	CF lenses	Modified sync contact, gear train & mount
1993	10	FE110, FE150	Modified aperture blades
1993	11	FE50	New screws holding the front tube
1993	12	205TCC	Cross-slotted screws
1993	13	205TCC	Addition to Service Manual
1993	14	PME51	New Service Manual
1993	15	PME, PME3, PME5	New metering unit
1993	16	PC-Mutar 1.4X	Modified light sealing ring
1993	17	500C/M, 503CX, 553ELX	Fitted with wrong spacers in shell
1993	18	PME, PME3, PME5	Modified frame
1993	19	PME51	Correction in Service Manual
1993	20	503CX, 500ELX, 553ELX	New TTL electronics
1993	21	205TCC, Magazines TCC	Various modifications
1994	01	F50, F50 TCC	Locking of front group

<b>Year</b>	<b>No.</b>	<b>Product</b>	<b>Subject</b>
1994	02	PME90, Converter 2XE	New Service Manual
1994	03	201F	New Service Manual
1994	04	501C	New camera body - new parts
1994	05	501C, 503CXi	New Service Manual
1994	06	501C/M, 503CX	New rear plate
1994	07	201F	Correction in Service Manual
1994	08	CF lenses	Shutter modification
1994	09	205TCC	Modified control panel
1994	10	203FE	New camera body - new parts
1994	11	E series magazines	New magazines - new parts
1994	12	500 series cameras	Modified front plate
1995	01	C80 (602)	New tools
1995	02	F/FE, TCC lenses	New tools
1995	03	201F, 203FE, 205TCC	New tool
1995	04	501C, 503CXi	Modified tripod foot
1995	05	201F, 203FE	Modified tripod foot
1995	06	Camera bodies	New tool for tripod foot screws
1995	07	201F	Correction in Service Manual
1995	08	C80 (602)	New Service Manual
1995	09	503CXi	New tool
1995	10	503CXi	Correction in Service Manual
1995	11	201F	Various modifications
1995	12	All	Shipments of spare parts
1995	13	Generally	Customer service directory
1995	14	200 series cameras	Mirror and focusing screen adjustment
1995	15	A, E, TCC series magazines	Modified stop arm
1995	16	C80 (602)	New tool
1995	17	Various accessories	New Service Manual
1995	18	201F	Correction in Service Manual

<b>Year</b>	<b>No.</b>	<b>Product</b>	<b>Subject</b>
1995	19	205FCC	New camera body - new parts
1995	20	E series magazines	Attachment of dark slide holder
1995	21	Proshade 6093-T	New Service Manual
1995	22	All	New price list
1995	23	553ELX	New improved motor
1995	24	201F, 205TCC	Correction in Service Manual
1995	25	A, E, TCC series magazines	Various modifications
1995	26	A16	New spool holder
1995	27	A series magazines	Redesigned leathers and name plates
1995	28	203FE, 205FCC/TCC	New tool
1996	01	203FE	Modified contact flex
1996	02	501C, 503CXi	New signal arm
1996	03	201F, 203FE,205FCC	Modified release lever
1996	04	PC-Mutar 1.4X	New Service Manual
1996	05	All	Reduced spare part prices
1996	06	PM5, PME51	Defective shims
1996	07	FlexBody	New Service Manual
1996	08	E12, E16, E24, E12CC	Modified dark slide holder
1996	09	A24, E24	Eccentric replaced by a screw
1996	10	E12, E16, E24, E12CC, A16	Modified spool holder
1996	11	Various accessories	New Service Manual
1996	12	Various accessories/cameras	Tripod foot adapter/kits
1996	13	D-Flash 40	Info regarding Service Manual
1996	14	503CW	New Service Manual and new tool
1996	15	Winder CW	New Service Manual and new tools
1996	16	PME90	New tools
1997	01	500EL, 500EL/M, 500ELX	AA type battery modification
1997	02	IR Remote Control	New battery support
1997	03	Winder CW	Changed spare part No.

<b>Year</b>	<b>No.</b>	<b>Product</b>	<b>Subject</b>
1997	04	200 series cameras	Modified light seal foil
1997	05	903SWC	New tripod foot
1997	06	553ELX	New tripod foot
1997	07	Auto Bellows Extension	New tripod foot
1997	08	PM5, PME51	Modified shell and name plate
1997	09	PM5, PME51	Modified prism frame and engraved frame
1997	10	A16, E16	Modified picture frame
1997	11	A16, E16	Modified spacing gear and support
1997	12	A12/24, E12/24, E12CC	Modified spacing gear and support
1997	13	Winder CW	Changed spare part No.
1997	14	501CM	New Service Manual
1997	15	501C, 503CW	Modified parts
1997	16	Winding crank	New type
1997	17	Magazines	New Service Manual
1997	18	Winder CW	General winder failures
1997	19	A12, A16, A24	Modified parts
1997	20	903SWC	New camera shell
1997	21	FlexBody	Modified parts
1997	22	Focusing screen adapter	Modified parts
1997	23	Tripod quick-coupling S	Modified parts
1997	24	A32	New Service Manual
1997	25	PolaPlus, PolaBasic	Changed spare part No.
1997	26	FE50, FE110, FE150	Modified aperture blades
1997	27	CF80	Modified rear lens element
1997	28	501CM	Also available in black finish
1997	29	CB60/80/160, CFE350 SA	Info regarding Service Manual
1997	30	ArcBody	Info regarding Service Manual
1997	31	CF lenses	Modified mounting tube
1997	32	Winder CW	Modified release arm sleeve

<b>Year</b>	<b>No.</b>	<b>Product</b>	<b>Subject</b>
1997	33	CB lenses	Preliminary spare part catalogue
1997	34	All	New price list
1998	01	All	Rebates on volume spare part orders
1998	02	D-Flash 40	New Service Manual
1998	03	Various products	Corrections in Service Manual
1998	04	IR Remote Control	Modified exposure button
1998	05	Snap-lock flash grip	New Service Manual
1998	06	FlexBody	Modified lens holder
1998	07	CB lenses	Prel. Service Manual for CB160. New tools
1998	08	CF500	Reversed mounted front element
1998	09	202FA	New camera body - new parts
1998	10	ArcBody, Grandagon lenses	New Service Manual and new tools
1998	11	Converter APO 1.4XE	New Service Manual
1998	12	503CW	New TTL film speed range
1998	13	203FE, 205FCC, 205TCC	Corrections in Service Manual
1998	14	All	Service Manuals on CD-ROM - Version 1.0
1999	01	All	New price list
1999	02	501C, 503CX/CXi, 500C/M	New type bayonet plate
1999	03	553ELX	Info battery compartment
1999	04	553/500ELX, 500EL, EL/M	Modified release and s-arm
1999	05	555ELD	Preliminary spare part catalogue
1999	06	CB, CFi, CFE lenses	New spare part catalogue
1999	07	555ELD	New Service Manual
1999	08	205TCC	New control panel
1999	09	555ELD	Modified motor housing mounting plate
1999	10	500 series cameras	Improved stray-light reduction
1999	11	FE60 - 120	New Service Manual and new tools
1999	12	View magnifier	New Service Manual
1999	13	200 series cameras	Modified parts

<b>Year</b>	<b>No.</b>	<b>Product</b>	<b>Subject</b>
1999	14	500EL, 500EL/M, 500ELX	Spare part price adjustment
1999	15	All	New CD-ROM - Version 1.1
2000	01	All	New CD-ROM - Version 1.2
2000	02	A16, E16	Adjustment of eccentric
2000	03	PM90	New prism
2000	04	PM45	New Service Manual
2000	05	C lenses	Early warning - availability of parts
2000	06	PME45	New Service Manual
2000	07	VHAB Service Test System	New version, 6.0
2000	08	501CM, 503CW	Washer added to gear box
2000	09	All	New CD-ROM - Version 1.3
2000	10	C lenses	Future service policy
2000	11	All	New price list
2000	12	Winder CW	Modification to battery compartment
2000	13	F lenses	Discontinued modification kits
2000	14	500 & 200 series cameras	Bayonet plate information
2000	15	A12, SWC	Discontinued modification kits
2000	16	Magazines	Modified light trap foil
2001	01	500 & 200 series cameras	Modified magazine hook
2001	02	555ELD	Modified motor unit
2001	03	CF, CB, CFE, CFi lenses	Modified shutter parts
2001	04	All	New CD-ROM - Version 2.0

**Year No. Product**

**Subject**

---

# S E R V I C E I N F O

1/92

## **New spare parts price list**

The current list will be slightly adjusted and new prices valid as from March 1st, 1992.

The list contains 5699 items and you will find them all in the Flexy disk respectively in the print out enclosed. The disk to be read in dBase III.



# S E R V I C E I N F O

2/92

## Kits for modification of F lenses

Parts for upgrading F lenses to the TCC version are now available. As you know, early F lenses cannot be upgraded, only those produced during the last couple of years can be worked on in this respect.

In principle all 250 mm and 350 mm lenses can be upgraded. Regarding the 50 mm, 110 mm and 150 mm lenses they must be of the latest design, i.e. with the distance scale printed on the mount. (Lenses with the distance scale as a separate band screwed onto the mount are of an early design and not fitted for upgrading).

The parts are available as single parts and/or as kits for each lens type:

a) Identical in all lenses:

000000 0010 000	Hybrid circuit TCC type I
1412 927 681 30 00	Sliding contact
1412 921 678 30 00	Plate
1412 927 677 30 00	Cover
000000 0088 209	Screw (2 pcs)

b) Additionally in F 2.8/50:

1412 929 001 20 01	Bayonet plate
1412 937 037 40 00	Intermediate diaphragm ring
1412 928 587 60 00	Scale ring

c) Additionally in F 2/110:

1412 927 001 20 01	Bayonet plate
1412 937 072 30 01	Light tunnel
1412 937 037 40 00	Intermediate diaphragm ring
1412 927 687 60 00	Scale ring

d) Additionally in F 2.8/150:

1411 927 001 20 01	Bayonet plate
1412 937 072 30 01	Light tunnel
1412 937 037 40 00	Intermediate diaphragm ring
1412 928 587 60 00	Scale ring

e) Additionally in F 4/250 and F 4/350:

104541 8122 000	Bayonet plate
104540 0172 010	Light tunnel
104540 8015 000	Intermediate diaphragm ring
104540 0136 010	Scale ring

If you would prefer to order the parts in kits instead the numbers are as follows:

000000 0002 000	TCC Modification kit F50
000000 0003 000	TCC Modification kit F110
000000 0004 000	TCC Modification kit F150
000000 0005 000	TCC Modification kit F250/350

Please note that the hybrid circuits are always supplied non-coded. Depending on lens type (f-opening) the circuits must be coded by solder before installation. The corresponding codes are shown on the sheets annexed.

# S E R V I C E I N F O

3/92

## Re. Hasselblad 205TCC

### New Service Manual!

A Service Manual for the 205TCC is now available. The first edition contains the following:

- Documentation for the Service Test System
- Specifications
- Exploded views for the camera body
- Exploded views for the magazines

There will be additional material to follow shortly such as repair instructions, more specifications, exploded views for the TCC winder and other accessories etc.

Please find one copy enclosed.  
Additional copies to be ordered as usual.

# S E R V I C E I N F O

4/92

## **Re. Hasselblad TCC Winder**

**Please find enclosed the following:**

- **A new contents list for the Service Manual 205TCC System Components**
- **Page 15:1 and 15:2 Specification and exploded view Winder TCC**
- **Page 16:1 and 16:2 Specification and exploded view Winder TCC**

**The above should be filed into the Service Manual 205TCC System Components.**

**Additional copies to be ordered as usual.**

# S E R V I C E I N F O

5/92

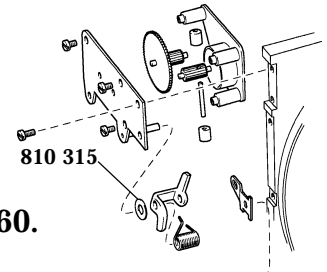
## Re: Service Manual 205TCC System Components

The following changes have been made in the Service Manual:

- Page 5:1 Part No. 105 875 is excluded and replaced by 107 390.  
Part No. 105 874, Tape is added.  
Part No. 105 873 is excluded and replaced by 107 393.  
Part No. 105 872, Tape is added.  
Part No. 105 871 is excluded and replaced by 107 392.  
Part No. 105 870, Tape is added.

- Page 5:2 Part No. 105 877 is excluded and replaced by 107 391.  
Part No. 105 876, Tape is added.

- Page 10:1 A washer (810 315) has been added to the mirror catch mechanism. This to improve a more smooth and safe operation. The modification was introduced in our production from approx. serial No. 15EH10860.



- Page 14:2 Part No. 308 493 is excluded and replaced by 309 343.  
Part No. 308 492, Tape is added.

Please find enclosed updated pages to be filed into the Service Manual.  
Additional copies to be ordered as usual.

# S E R V I C E I N F O

6/92

## Re. Hasselblad 205TCC Lenses

### New Service Manual!

A Service Manual for the 205TCC lenses is now available. This edition contains the following:

Service instructions with exploded views and specifications for the present six lenses

Distagon F 2.8/50 TCC  
Planar F 2.8/80 TCC  
Planar F 2/110 TCC  
Sonnar F 2.8/150 TCC  
Tele-Tessar F 4/250 TCC  
Tele-Tessar F 4/350 TCC

One copy of the manual is enclosed herewith.  
Additional copies if required to be ordered as usual.  
Please note that the manual is available only in German.

# **S E R V I C E I N F O**

**7/92**

## **Re: Service Manual 205TCC System Components**

**Please find enclosed exploded views and specifications for the extension tubes 16, 32 and 56 TCC to be added in to the above Service Manual.**

**Please also change the enclosed updated pages Content List and Exploded View Index.**

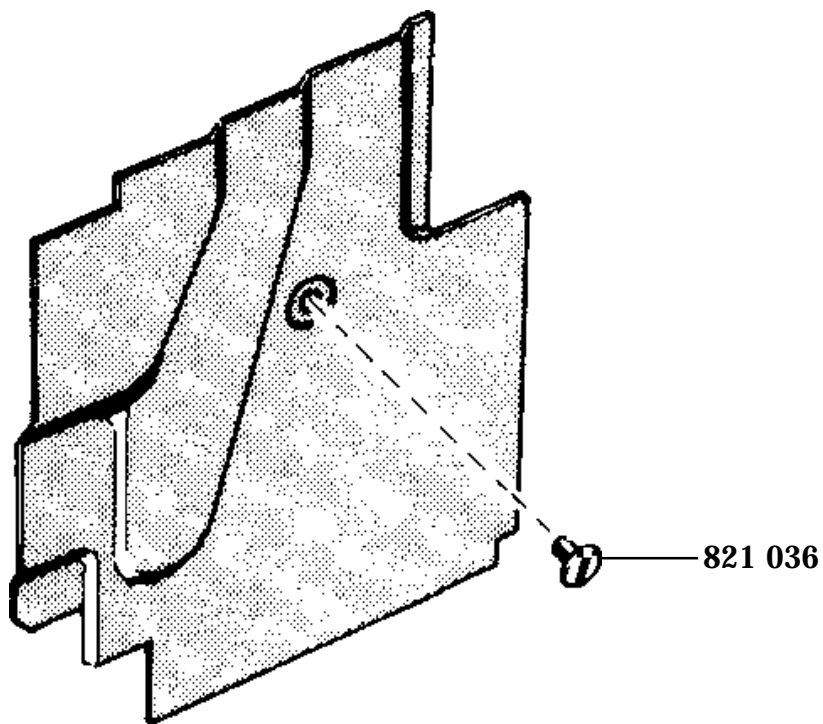
**Additional copies, if required, to be ordered separately.**

# S E R V I C E I N F O

1/93

## Re. Hasselblad 500/553ELX

The screw holding the side cover has been changed.  
821031 (2.2mm) is discontinued and substituted by 821036 (3.2mm).  
Please change in the Service Manual accordingly.





# S E R V I C E I N F O

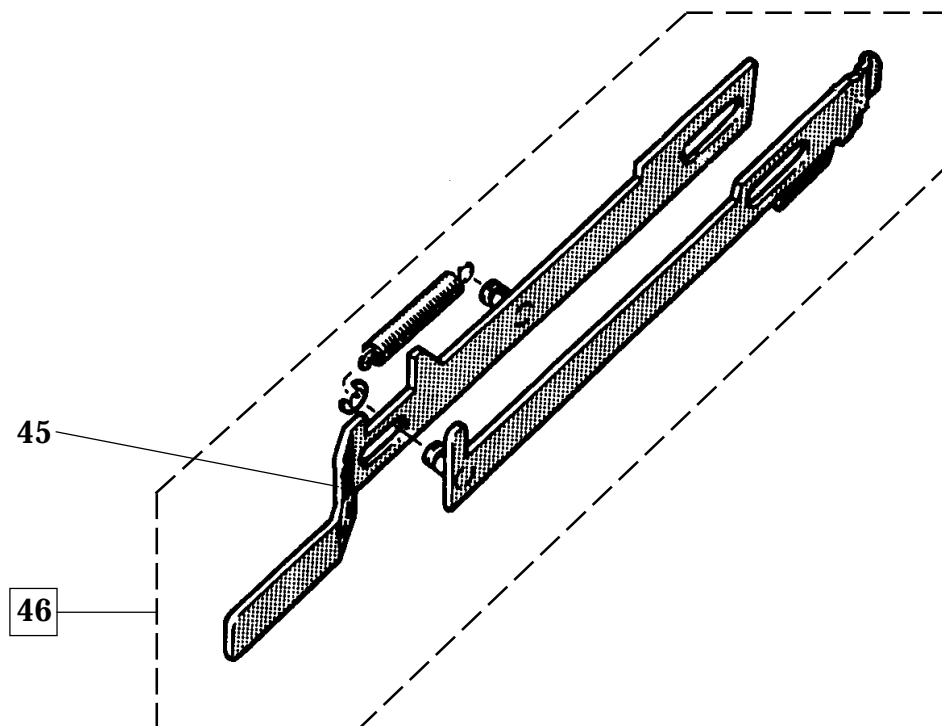
2/93

## Re. Hasselblad 2000/2003FCW

Please change in the Service Manual, section 2, according to the following:

Pos. No. 45 (103119) Release arm, rear is discontinued and substituted by 105946. (205TCC part)

Pos. No. 46 (103115) Release arm, complete is discontinued and no longer available. (Individual parts only)



# S E R V I C E I N F O

3/93

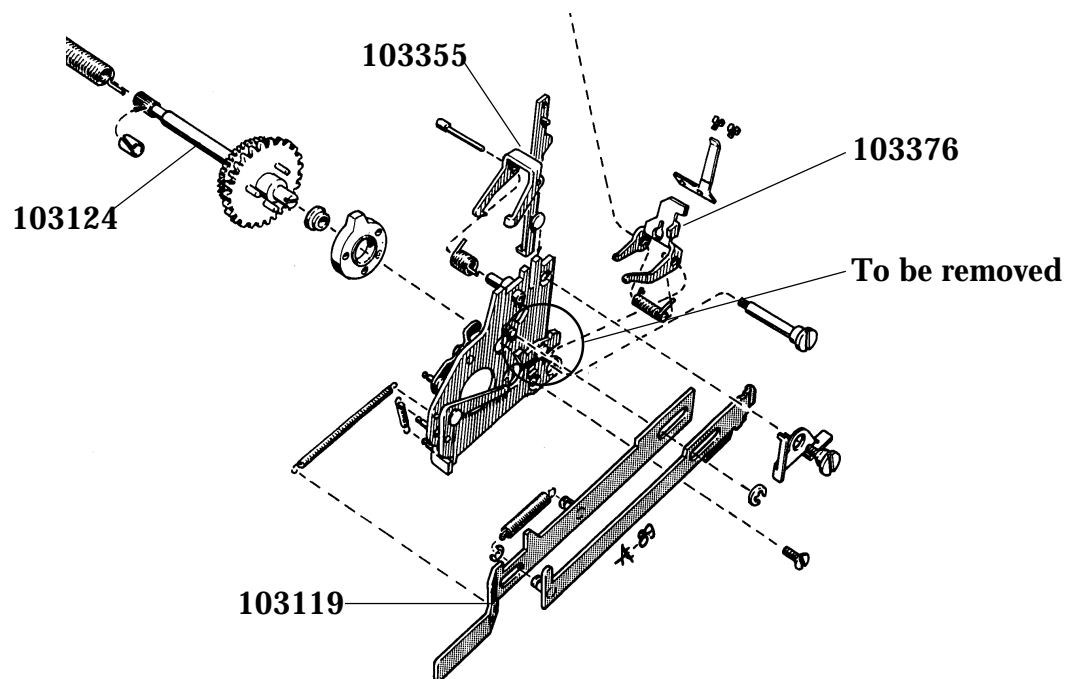
## Re. Hasselblad 2000/2003FCW

To improve the reliability and smoothness of the release mechanism in above mentioned cameras the following modification could be made:

		Old part			New part
From	103124	Front gear	to	103124	Front gear (modified)
	103355	Front key catch	to	103355	Front key catch (modified)
	103376	Release bridge	to	105924	Release bridge
	103119	Release lever, rear	to	105946	Release lever, rear

When doing this modification, please make sure to remove the catch (riveted), marked on below sketch.

The new parts are 205TCC parts.



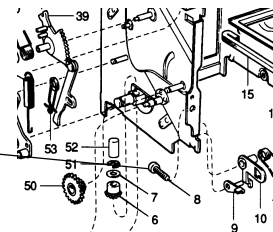
# S E R V I C E I N F O

4/93

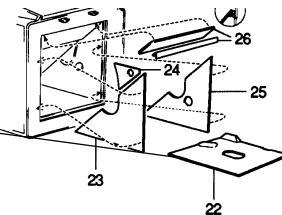
## Re. Hasselblad 205TCC

Some more hand tools are now available!

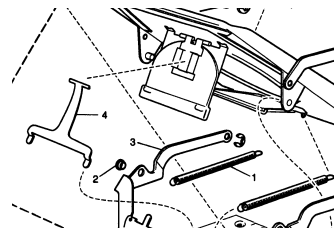
**zz89** A special 1.5 allen-key driver for this screw



**901061** Mounting tool for the inner cover



**904018** Bending tool for adjusting the position of the aux. mirror. Also for adjusting the rear main mirror supports.



# S E R V I C E I N F O

5/93

## Re. Hasselblad 205TCC

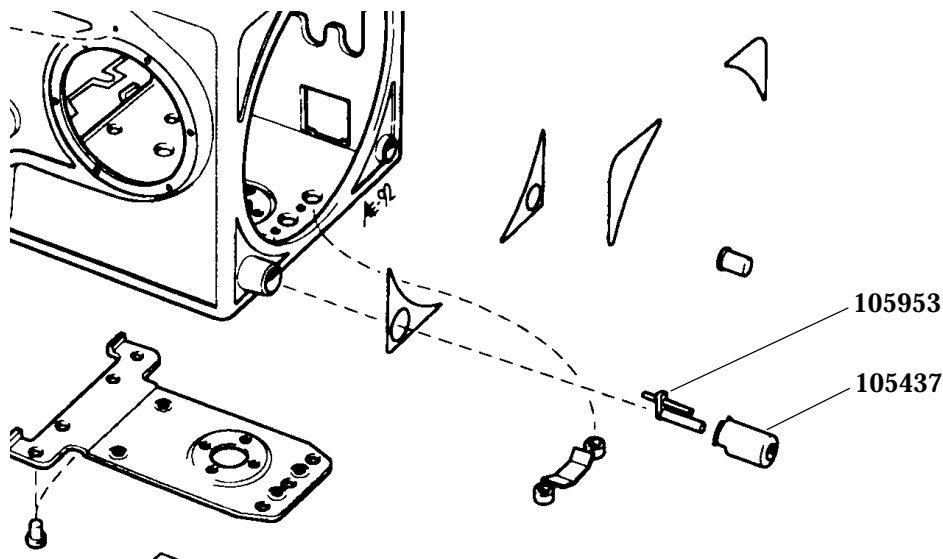
The release button and buffer have recently been modified.  
This, for maximum reliability when working with cable release cords.

The new parts are: 105437, Release button (105117 discontinued)  
105953, Buffer

We recommend to change these two parts whenever a camera is in for repair.

Enclosed is updated pages for the Service Manual 205TCC.

The modification was introduced in our production from S/N 15EH11190.



Encl. page 5:1 (spec. & exploded view)

# S E R V I C E I N F O

6/93

## Re. Magazines A12, A16, A24 & 70 (incl. TCC)

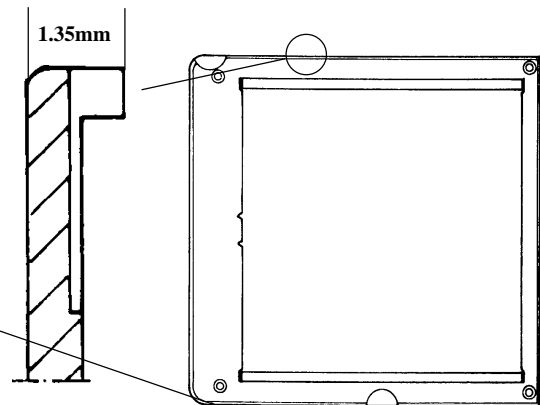
The picture frame and the outer plate have been modified.

This, to avoid possible light leaks. i.e. light coming in between the picture frame and the outer plate.

The thickness of the lower and upper frame edges have been increased from 1.15mm to 1.35mm.

The corresponding groove in the outer plate has been increased accordingly.

To identify a new frame there is a step in the lower left hand corner. (0.2mm)



This modification was gradually introduced in our production during the period of late 1992.

The spare parts involved are the following:

New part No.		Old part No.
30752	Magazine support A12/A24	30515
30751	Magazine support A16	30517
308364	Magazine support A12/A24 TCC	308042
309344	Magazine support A16 TCC	309041
30759	Magazine support 70	30510
22710	Picture frame A12/A24/70 & A12/A24 TCC	21558
22712	Picture frame A16 & A16 TCC	21585
40380	Outer plate A12/A16/A24	13804
40380	Outer plate 70	13911
308321	Outer plate A12/A16/A24 TCC	308106

The old parts above will gradually be discontinued and accordingly replaced by the new parts.

**Important! Never mix new and old parts in the same magazine.**

# **S E R V I C E I N F O**

**7/93**

## **New spare parts price list**

**The current list will be slightly adjusted and new prices valid on orders received as from April 1st, 1993.**

**We enclose a corresponding print-out. On request you can also have the list on a Flexy disk. (dBase III). Please state size of disk.**

# S E R V I C E I N F O

8/93

## **New Service Manual, Accessories III**

**A new Service Manual, Accessories III, is now available. The first edition contains exploded views and specifications for the following products:**

- **Meter prism viewfinder PME5**
- **Prism viewfinder PM5**
- **Proshade 6093**
- **Focusing screen adapter SWC**
- **Tripod quick-coupling**

**One copy of the manual will be enclosed in the next spare part shipment. Additional copies if required to be ordered as usual.**

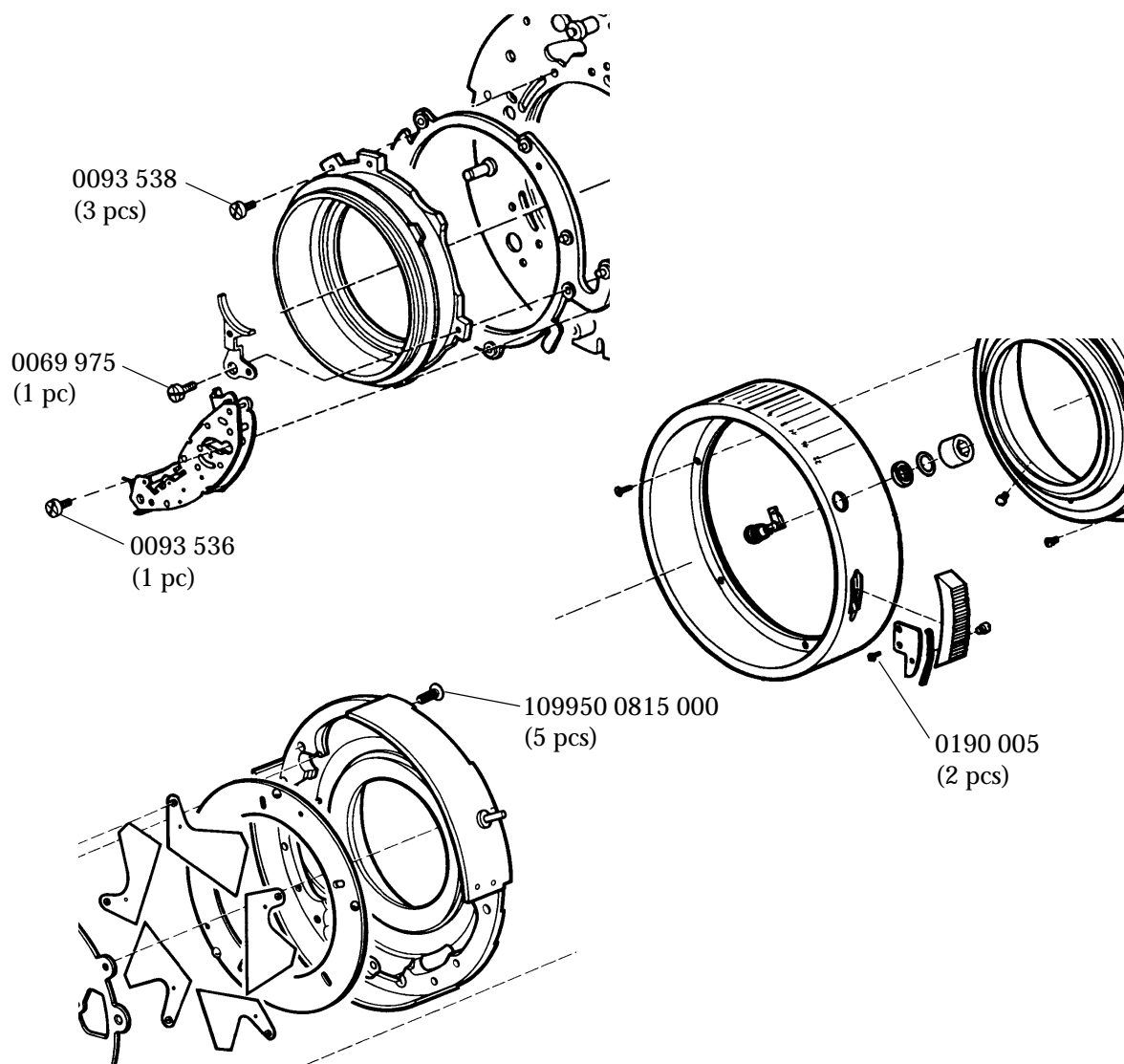
# S E R V I C E I N F O

9/93

## Re. Hasselblad CF-Lenses

### New screws

The indicated screws have recently been changed from slotted to cross-slotted type. Please change the spare part numbers in the Service Manual according to the below sketches.





## Sync contact

The sync contact, (P/N 109950 0345 000), has been modified twice over the years.

1. It was extended to the same level as the outer protective cover.
2. The plus terminal was secured in a better way.

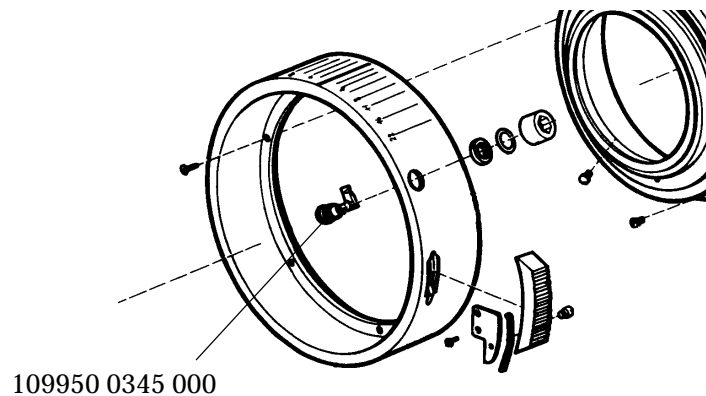
In spite of above mentioned modifications we recently have had a few complaints concerning bad sync contact.

After investigation we have found out that grease can interrupt the ground connection between the depth-of-field ring and the case. (Grounding made by a screw).

Also the grounding between the contact itself and the depth-of-field ring can sometimes cause problems.

So in case of problems:

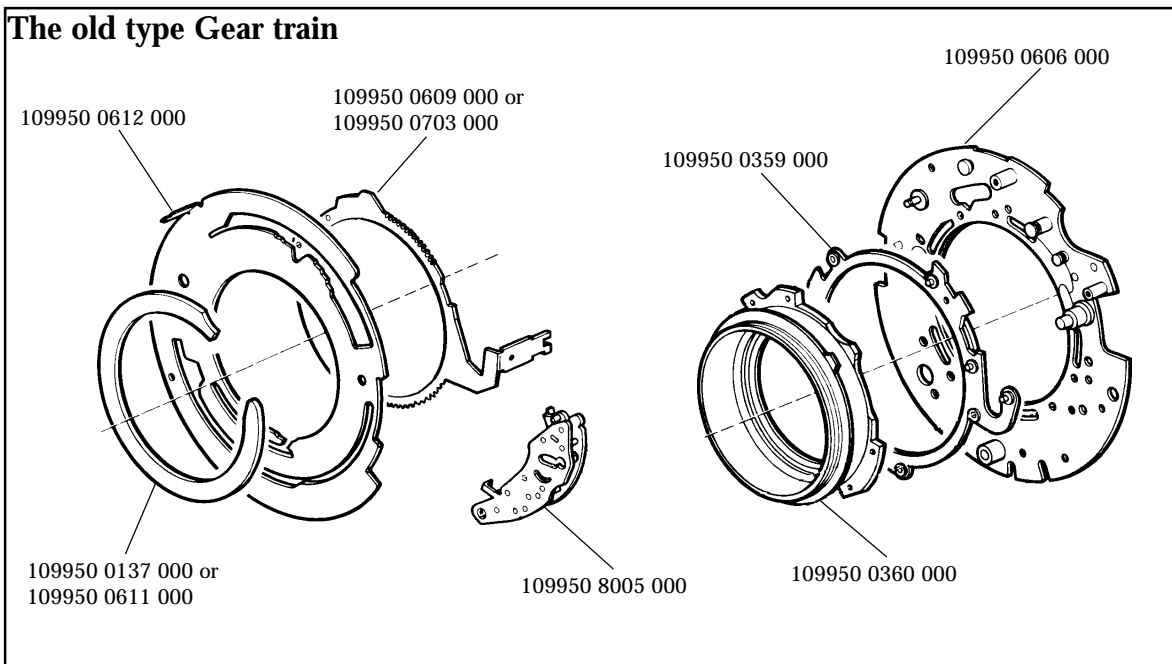
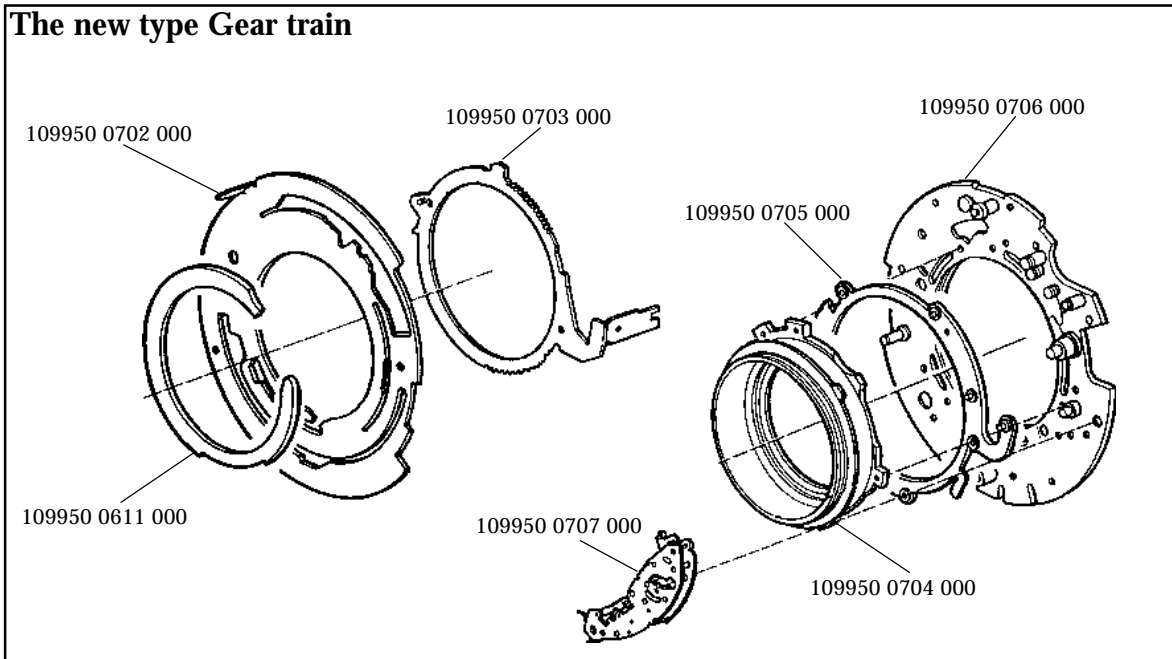
- Make sure the contact is the latest version.
- The screw hole is free from grease.
- The grounding in the depth-of-field ring is sufficient enough.



The two versions of Gear train:

New type - P/N 109950 0707 000    Old type - P/N 109950 8005 000

When replacing the gear train or any other illustrated part below please pay attention to the version. They are not interchangeable.



# S E R V I C E I N F O

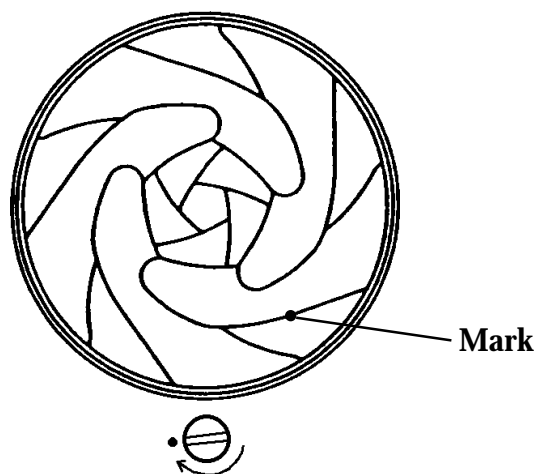
10/93

## Re. Hasselblad TCC Lenses F110 & F150

The following problem has been found only for TCC lenses F110 And F150.

The blades can occasionally be hanging fully open during exposure or manual stop-down operation. The reason is that one blade (always the same) can hit the rivet of its neighbouring blade. Increased damaging of the blade edges will eventually give a non-reliable stop-down operation due to a clamping of the blade between the neighbouring blade and its loose rivet.

Lenses with this defect can easily be detected by looking from the rear with the aperture stopped-down. (Use smallest opening). A mark will be visible on the blade according to the sketch below. This mark is at the part of the blade edge hitting the rivet.



For lenses having this problem all blades should be replaced. Technically only the two blades involved in the collision described are necessary to exchange. Due to cosmetic reasons we recommend to exchange all blades.

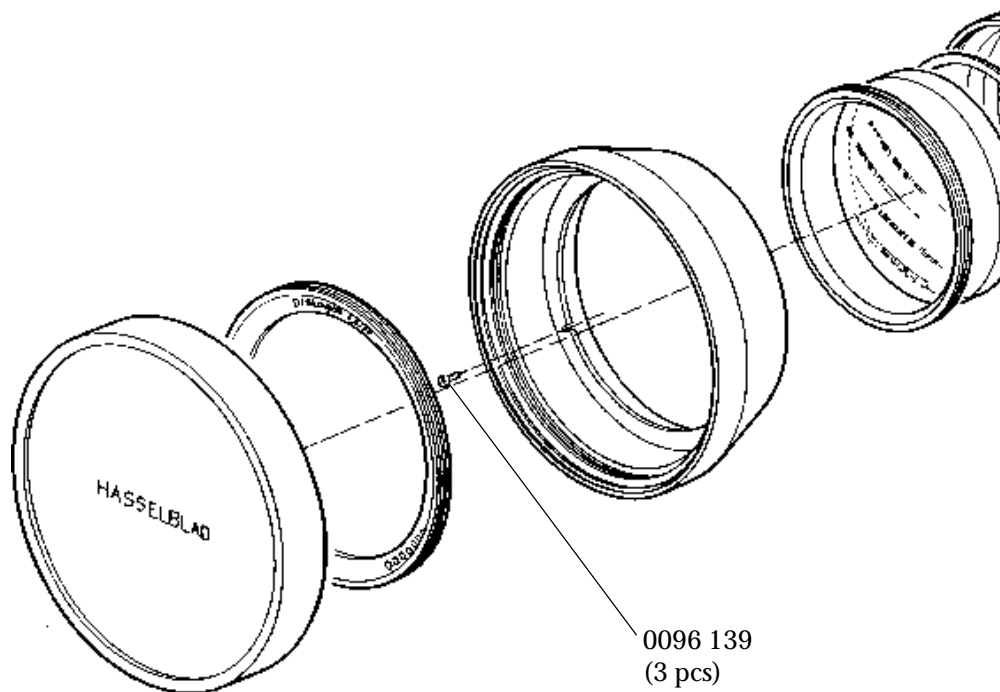
Presently the riveting is corrected in the production. To further increase the reliability of the aperture blade movement, a redesign of the blade shape for these two lens types has been made. This will increase the safety margin during the blade movements. These new blades will be available also as a spare part set to replace old blade types. Delivery time not given by Carl Zeiss yet, but we estimate availability September 1993.

# S E R V I C E I N F O

11/93

## Re. Hasselblad Distagon F50 TCC

Below indicated screws have recently been changed to Allen type screws, head 1.5 mm. This, to assure a more secure fastening of the front tube.  
Please change the spare part numbers in the Service Manual.



# S E R V I C E I N F O

12/93

## Re. Hasselblad 205TCC

### Just for your information

Some screws in the camera body have already been changed to cross-slotted type.

Still there are a few more to come.

We estimate that this will be carried out completely in September.

New specifications for the Service Manual will therefore follow in due course.

# **S E R V I C E I N F O**

**13/93**

## **Re. Hasselblad 205TCC**

**Please find enclosed the following:**

- **Checks & Adjustments guide, page 3:1 and 3:2**
- **Specifications, page 4:3 and 4:4**
- **Updated Contents list**

**The above should accordingly be filed into the Service Manual 205TCC.**

# S E R V I C E I N F O

14/93

## Re. Hasselblad Meter prism viewfinder PME51

Recently the meter prism viewfinder PME51 was released. It has a new electronic circuit, which measures the light more accurate, consumes less battery and is more reliable in lower temperatures. It has also a combined battery-check indicator and scale illumination.

Note the new calibration method!

Please find enclosed the following:

- Specification PME51, page 6.
- Exploded view PME51, page 6.
- Calibration instruction PME51, page 6:1 & 6:2.
- Updated contents list.

The above should accordingly be filed into the Service Manual Accessories III.

# S E R V I C E I N F O

15/93

## Re. Hasselblad Meter prism viewfinder PME, PME3 & PME5

The metering unit, P/N 414022, has been discontinued and is no longer available from our spare part stock.

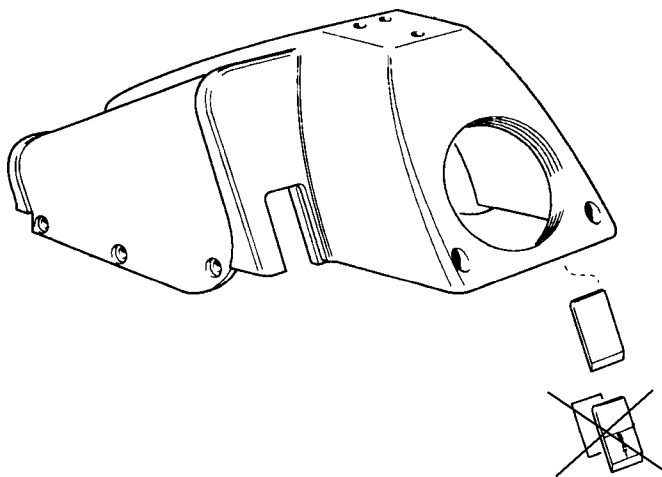
From now on, the PME51 metering unit should be used.

It has the same spare part No. since it is fully compatible.

However, the shell should be modified according to the sketch below due to the new location of the battery indicator.

### Note!

For calibration work: The PME51 calibration instruction must be used.



Remove the window, 414411  
and the diffusor, 414499.  
Mount the new black cover,  
414472.



# S E R V I C E I N F O

16/93

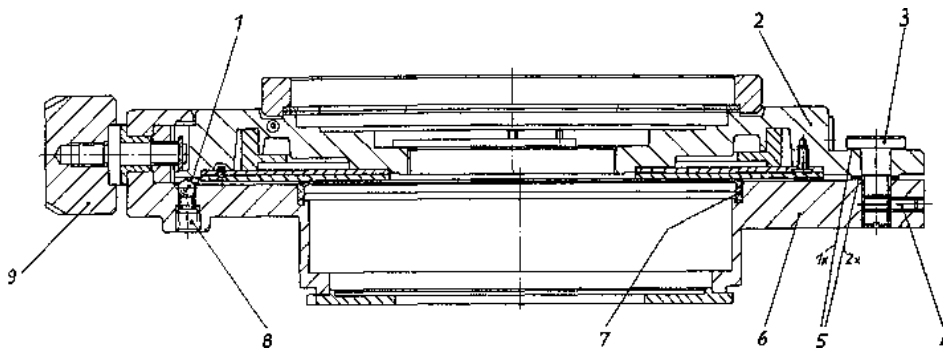
## Re. Carl Zeiss PC-Mutar 1.4x

Although we had only one complaint yet there may be a risk of light leakage in the Mutars, due to an inferior light sealing ring.

Mutars which should be attended to are of late 1992 and early 1993 deliveries, i.e. with the Zeiss/Prontor codes F29 - M29 and A39 - E39. (The coding to be found next to the rear lens).

The change of the light sealing ring is very simple and we urge you check your stock of Mutars and to fit a new ring on Mutars coded as above.

The new ring has the part No. 104334 0051.



1. Put the Mutar in 0-position and lock it with the knob (9).
2. Loosen the screw (8) three turns.
3. Loosen the screw (4).
4. Unscrew the screw (3) completely. Clockwise!
5. Remove the frontplate (2) from the baseplate (6). Observe the steelball (1) and the washers (5)!
6. Remove the ring (7) and fit the new ring, part No. 104334 0051.
7. Remount the frontplate (2) on to the baseplate (6). Do not forget the steelball (1) and the washers (5)!
8. Tighten the screw (3) moderately and then undo it approx. 10°.
9. Tighten the screw (4).
10. Tighten the screw (8) three turns and secure it with safety lacquer.
11. Unlock the Mutar and check for a proper operation.

# S E R V I C E I N F O

17/93

## Hasselblad 500 Classic, 503CX & 553ELX

### Urgent!

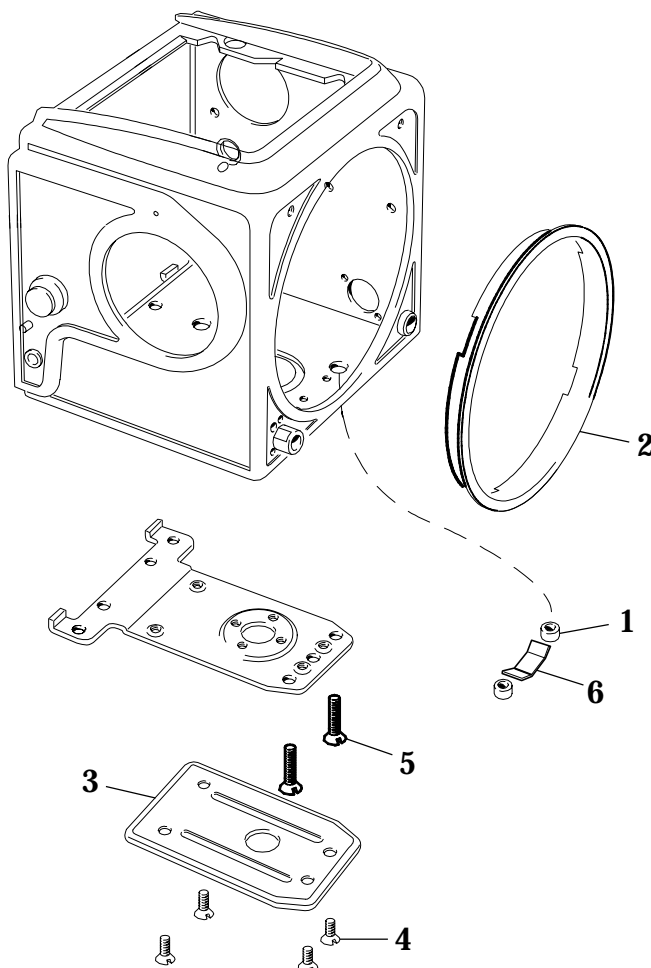
Recent deliveries of cameras Classic, 503CX and 553ELX have regrettably been fitted with wrong spacers (1) in the camera shell, causing lens in some cases to rub against front trim ring (2).

We urge you to check and to take corrective measures in your stock of above products. The operation (except ELX) is fortunately a matter of minutes only.

Simply undo the slide (3) with the four screws (4) and the two (5).

Fit the new ones and preferably also replace the spring (6) with a new one.

Correct spacer is part No. 810620 (Height 2,8 mm).



We are indeed most sorry to cause you the inconvenience and the additional work, but we are sure that this preventive measure has to be taken.

Necessary parts, spacers and springs, are in the mail to you.

# S E R V I C E I N F O

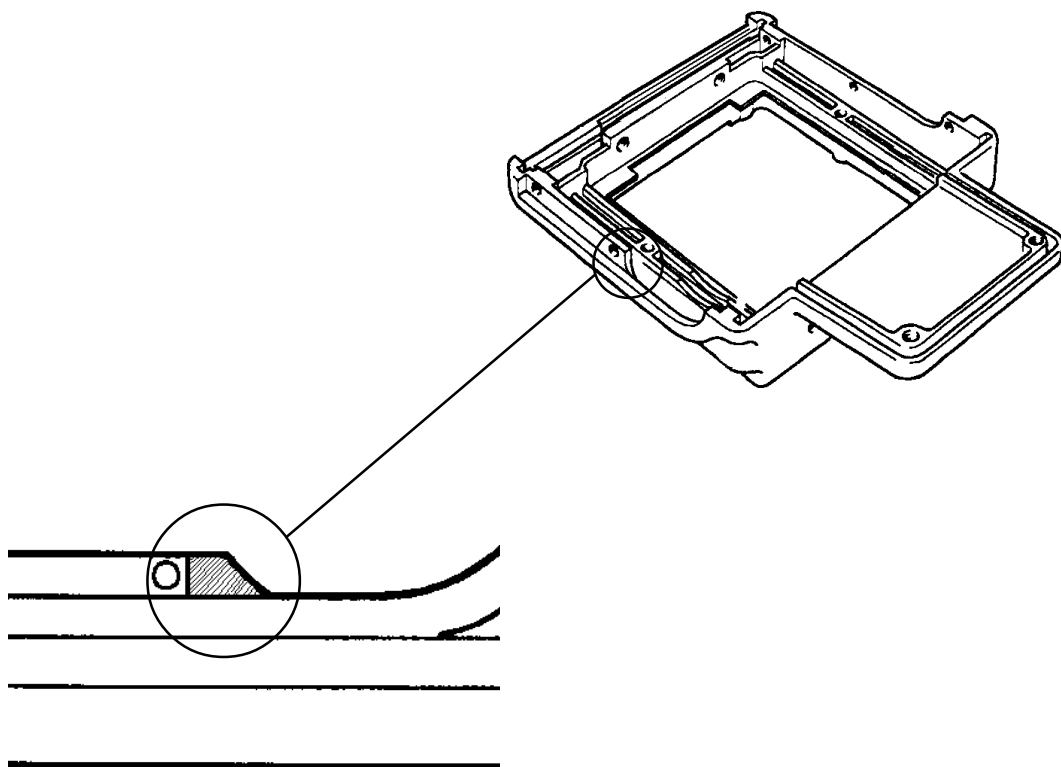
18/93

## Meter prism viewfinder PME, PME3 & PME5

When the new type metering unit (PME51) is installed in above mentioned finders a modification to the frame must be made.

This for clearance of the cables from the indicator dial when using ISO setting 6400.

Cut away the shadowed area according to the sketch below.



# S E R V I C E I N F O

19/93

## **Meter prism viewfinder PME51 Service Manual Accessories III, page 6**

The position No. 28 (Shell, 414 386) is unfortunately not correct. The number should be 414 556 instead.

A corrected specification sheet, Page 6, is enclosed.

# S E R V I C E I N F O

20/93

## Camera body 503CX, 500ELX and 553ELX

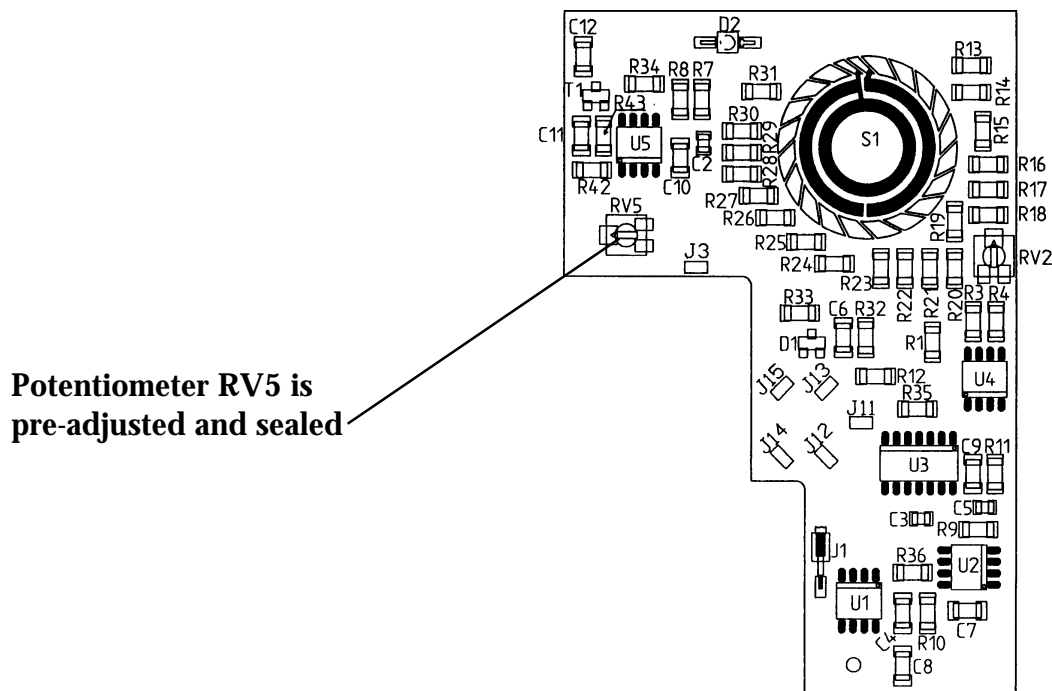
The flash metering circuit (22494, 553ELX and 22575, 503CX) has been redesigned to an ordinary surface mounted PC board.

Since it is fully compatible backwards the spare part numbers remains the same. However, due to the physical change of the board there is a new designed insulating plate. It has the spare part No. 22746.

The adjustment procedure and the location of the potentiometer remains the same as before. Note! The potentiometer RV5 indicated below is factory pre-adjusted and sealed.

Please change in the corresponding Service Manuals accordingly.

This was introduced in the production as from serial No. 11EP26951 (503CX) and from Serial No. 12EP13800 (553ELX).



# S E R V I C E I N F O

21/93

## Camera body 205TCC and Magazines TCC

Please find listed below measures etc. undertaken in order to improve quality and reliability of the 205TCC.

Enclosed are updated pages for the Service Manual.

Page 5:1 Some cross-slotted screws introduced as indicated.

Page 5:2 Position No. 4. Spare part No. changed. 105956 instead of 107391.

Page 6:2 A new designed display contact as from camera Serial No. 15EP11691 with an auxiliary spring. Fully compatible backwards.  
New numbers: Display contact, 107449 and aux. spring, 815614.  
The old contact, 105753 is discontinued.  
Cross-slotted screw introduced as indicated.

Page 7:1 Some cross-slotted screws introduced as indicated.

Page 7:2 The gear, 105503 not available separately. Only the complete assembly, 105108.  
Some cross-slotted screws introduced as indicated.  
Note! Must be washers when pos. No. 13 is cross-slotted screw.

Page 8:1 New design of the B-stop, 105745 as from camera serial No. 15EP11665.  
New design of the release bridge 105924 as from camera serial No. 15EP11880. Both fully compatible backwards.  
Some cross-slotted screws introduced as indicated.

Page 8:2 Correction of error specification/exploded view.

Page 9:1 Modified T-spring as from camera serial No. 15EP11725. New material and shape. Fully compatible backwards. Spare part No. changed. 105438 instead of 107420.

Page 9:2 Some cross-slotted screws introduced as indicated.

**Page 10:1 Position No. 12. Spare part No. changed. 105741 instead of 103108.  
Cross-slotted screws introduced as indicated.**

**Page 10:2 Position No. 26. Spare part No. changed. 105706 instead of 105788.  
Position No. 21, 23 and 29 (105938, 107443, 105939) no longer  
available separately due to sensitive adjustment procedures of magnets  
and latching levers.  
Springs (107447) added to latching levers for more safety in the  
C-position.**

**Page 11:1 Magnet assembly (105867) no longer available separately.  
(See above page 10:2).  
Cross-slotted screws introduced as indicated.**

**Page 11:2 Position No. 10. Spare part No. changed. 823430 instead of 823330.  
Braking device modified for more efficiency as from camera serial No.  
15EP11564. Properties of spring 815908 have been changed.  
In addition the braking discs have been lapped.**

## **TCC Magazines**

**Page 13:1 Position No. 62 (Gear assembly for A24, 308501). Spare part  
No. changed. to 311101.**

**Page 14:2 Position No. 8. Spare part No. changed. 823450 instead of 823440.**

# **S E R V I C E I N F O**

**1/94**

## **Distagon F 2.8/50 & F 2.8/50TCC**

Since some years the major service problem of above mentioned lens type has been the floating element group coming loose causing an increasingly poor picture quality.

As you know, this type of lens requires sophisticated optical instruments (MTF devices) for adjustment and must therefore be sent to Carl Zeiss, Germany for repair. Usually time consuming and costly.

We are pleased to tell you that from now on, we can carry out about 90% of this type of repairs here at the Hasselblad factory, Göteborg. Both turn-around time and cost will then be reduced quite significantly.

At the same time we will modify the locking mechanism of the front element group to prevent future failures.



# S E R V I C E I N F O

2/94

## Hasselblad Prism viewfinder PM90 & Converter 2XE

Recently the prism viewfinder PM90 and the converter 2XE were released.

Please find enclosed the following:

- Specification PM90, page 7.
- Exploded view PM90, page 7.
- Specification Converter 2XE, page 8.
- Exploded view Converter 2XE, page 8.
- Updated contents list

The above should be filed into the Service Manual Accessories III.

# S E R V I C E I N F O

3/94

## Hasselblad Camera body 201F

### **New Service Manual!**

The Service Manual for the camera body 201F is now available. It contains the following:

- A general description
- Technical specifications
- Checks & adjustments
- Exploded views & spare part specifications

One copy will be enclosed in the next shipment or alternatively sent separately.

Additional copies to be ordered as usual.

# S E R V I C E I N F O

4/94

## Hasselblad 501C

Recently the new camera 501C was released. It is only available as a complete unit consisting of camera body, lens and magazine.

The lens is a Planar C 2.8/80 mm, optically identical to the Planar CF 2.8/80 mm but without F-mode.

The magazine is a standard A12 black.

### Camera body facts:

- It is only available in black finish.
- The film advancing crank is permanently fixed to the camera body.
- The exposure signal has been removed.
- The quick-coupling plate has 1/4" as well as 3/8" threads for tripod attachment.
- The same soft but distinctive exposure button as the 205TCC & 201F without T-lever.
- The rear plate is machined to accept snap-in format masks.

The following spare parts are new in the 501C body:

40384	Shell, compl.	105357	Bushing
40387	Support	22782	Name plate
30760	Rubber support, left	105870	Tape, left
30762	Rubber support, right	105872	Tape, right
30763	Tripod foot	22683	Rubber plug
22759	Exposure button	22367	Buffer
30766	Rear plate, compl.	829760	Screw, 8 pcs
830060	Screw, 1 pc		
22751	Crank support		
105150	Crank arm		
22750	Coupling		
103516	Washer		
815904	Spring		
103517	Leather, 2 pcs		
829540	Screw, 4 pcs		

A more detailed spare part specification and exploded view for the body and the lens will follow in due course.

# S E R V I C E I N F O

5/94

## Hasselblad 501C and 503CXi

### 501C

Please find enclosed exploded views and spare part specifications for above camera. Differences from previous models are basically the new type shell, the release button and the winding crank which is permanently fixed to the camera body.

**Note!** In the Service Letter 4/94 the crank arm and the screws for the tripod foot were listed with incorrect spare part numbers.

The correct numbers are: 103151, crank arm and 829755, screw.

### 503CXi

Also for this model exploded views and spare part specifications are enclosed. Differences from previous model 503CX is the new type shell and the release button.

Please note that only the new spare parts are listed in the enclosures. All other parts and the repair instructions are the same as for the previous models and are found in the Service Manual 503CX/500C/M.

The enclosures should also be filed in the same manual.

# S E R V I C E I N F O

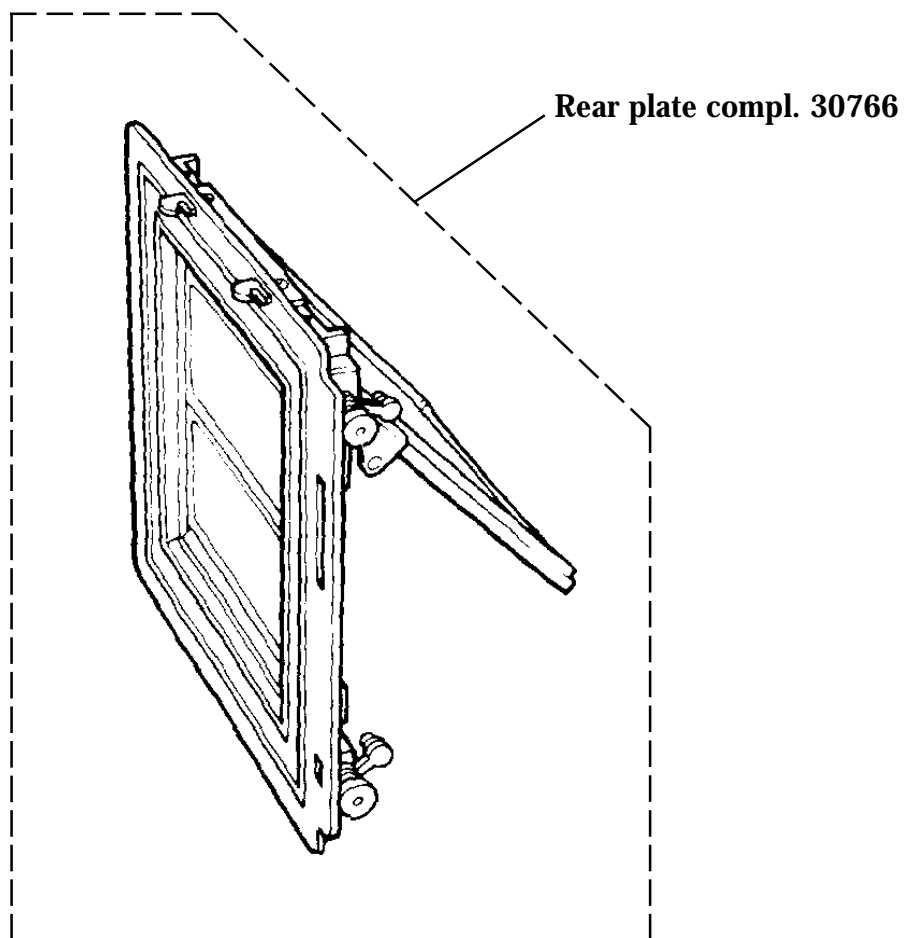
6/94

## Hasselblad 500C/M and 503CX

Spare part No. changed according to the following:

Rear plate compl. No. 30519 is discontinued. The new No. is 30766.

Please change in the Service Manual accordingly.



# S E R V I C E I N F O

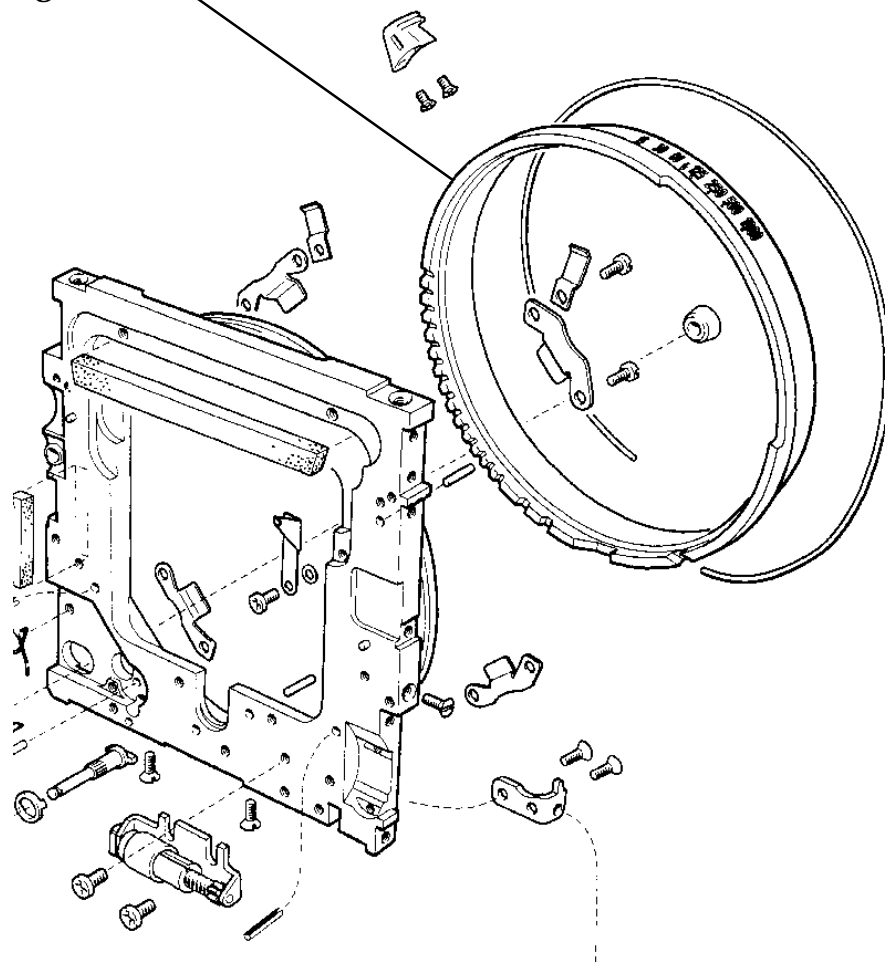
7/94

## Hasselblad 201F

The spare part No. for the speed ring is unfortunately lacking on page 9 in the Service Manual 201F.

Please find updated documentation enclosed.

Speed ring 108322



# S E R V I C E I N F O

8/94

## CF Lenses

In order to improve reliability of the manual stop-down function in the CF shutter a modification has been made.

The torsion spring is replaced by a draw spring.  
Due to this, also the shift ring has been modified to accommodate the new spring.

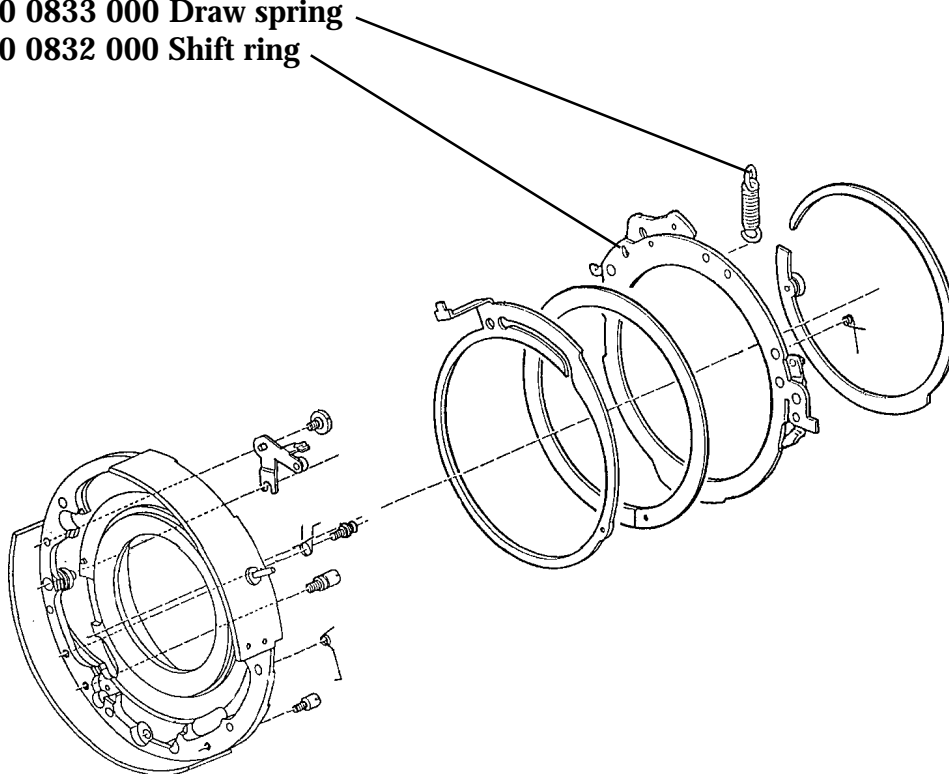
The new type spring will not fit the old type shift ring.

Discontinued parts:

109950 0621 000 Torsion spring  
109950 8045 000 Shift ring

The new parts are:

109950 0833 000 Draw spring  
109950 0832 000 Shift ring



# S E R V I C E I N F O

9/94

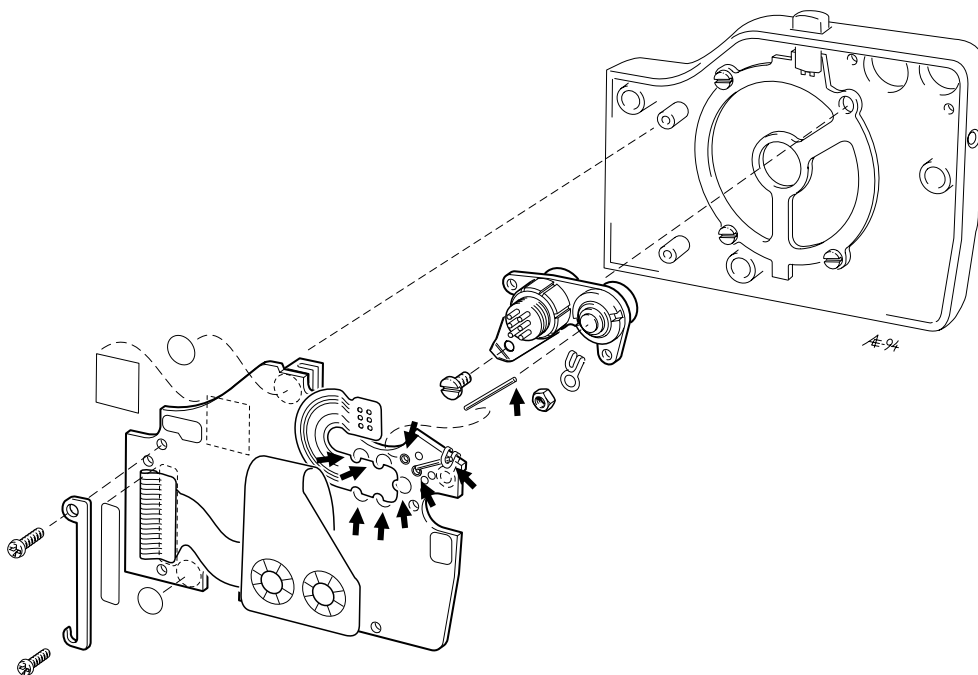
## Hasselblad 205TCC

The control panel has recently been redesigned with a new type PC socket.  
Also the circuit has been modified.  
Due to this two spare part numbers have been changed.

	Old No.	New No.
Control panel, compl	105021	105029
Mode selector dial	105119	105118

The new type control panel is fully compatible backwards.

Please exchange the enclosures in the Service Manual accordingly.





# S E R V I C E I N F O

10/94

## Hasselblad 203FE

Recently the new camera body 203FE was introduced. It has an automatic electronically controlled shutter with an automatic bracketing function.

As far as spare parts goes, they are basically the same as for the 205TCC with a few exceptions.

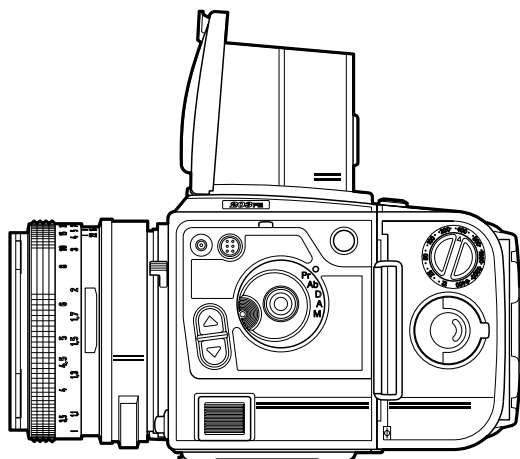
The new spare parts are the following:

Name plate (shell)	107453	2 pcs
Control panel, compl.	105021	1 pc
Mode selector dial	105119	1 pc
Mode plate (for the above)	107456	1 pc
Tape for mode plate	107464	1pc
Main circuit board	107103	1 pc
Mirror assembly	107044	1 pc

Focusing screen  
Acute-Matte 203

Sales code No. 42203

Exploded views will follow in due course.



# S E R V I C E I N F O

11/94

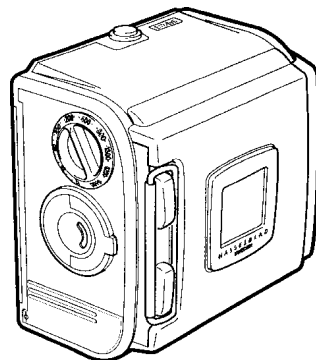
## Film magazine E12, E16, E24

E-type film magazines with film speed dial and dark slide holder were recently introduced. They are based on the TCC magazines but have some unique spare parts.

The new spare parts are the following:

Dark slide holder	308366	1 pc	Dark slide holder complete
Support	308440	1 pc	
Tape	308487	3 pcs	
Film indicator	308328	1 pc	
Tape for film indicator	308507	1pc	
Leather, shell	30312	1 pc	
Name plate, E12	308489	1 pc	
Name plate, E16	309406	1 pc	
Name plate, E24	311406	1 pc	
Plate spring	308449	1 pc	
Leather, knob	22404	1 pc	
Leather, spoolholder	308521	1 pc	
Rubber plate	308365	1 pc	
Tape for rubber plate	308523	1 pc	
Cover, chrome	308519	1 pc	(308520, black)
Circuit board	308524	1 pc	
Spoolholder, compl. E12/E24	308025	1 pc	(308026, black)
Spoolholder, compl. E16	309024	1 pc	(309025, black)

Exploded views will follow in due course.



**H A S S E L B L A D**

# S E R V I C E I N F O

12/94

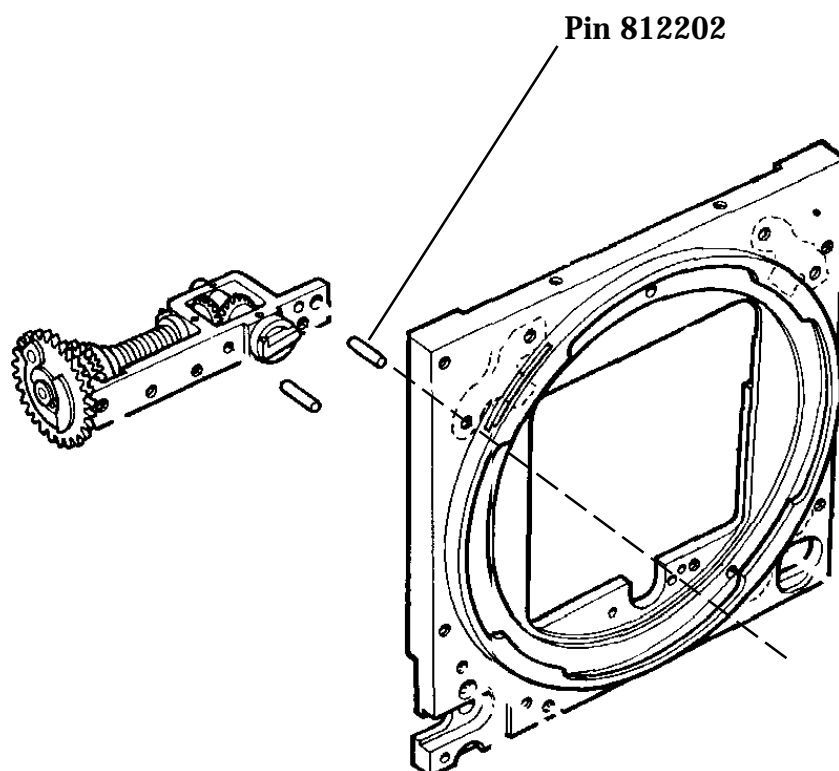
## Hasselblad 500 series cameras

### Pin 812202

The above pin was fitted in the bayonet plate to prevent a released lens to be mounted on the camera. However, due to technical reasons we are considering the possibility of removing the pin.

As from camera 501C serial No. 17EI 11523 we have therefore as a test levelled the pin with the bayonet plate. (The function of the plate is consequently identical to the 200 and 2000 cameras).

Please let us know in case you have some points of view or other experience with the above.



# S E R V I C E I N F O

1/95

## **Planar C 2.8/80 (Shutter No. 602)**

**New tools!**

**In order to remove the front and rear element group two new wrenches have been made.**

**The new tool numbers are the following:**

<b>102210 8005 901</b>	<b>Front</b>
<b>102210 8006 902</b>	<b>Rear</b>

**The engraved ring is removed with the existing tool 102165 0000 901.**

**Please place your order as soon as possible.**

# S E R V I C E I N F O

2/95

## **F/FE and TCC lenses**

**New tools!**

**A gauge kit for checking/adjusting the diaphragm opening diameter in the above-mentioned lenses has been developed.**

**The tool No. is 999999 0006 000 Diaph. gauge kit, F lenses and comes together with all the necessary instructions.**

**Place your order as soon as possible.**

# S E R V I C E I N F O

3/95

## Hasselblad 201F, 203FE and 205TCC

New tool!

This tool protects the control panel and the main circuit board when working on the right hand side of the camera.

The tool No. is 904020, Supporting tool.

Please place your order as soon as possible.

# S E R V I C E I N F O

4/95

## Hasselblad 501C and 503CXi

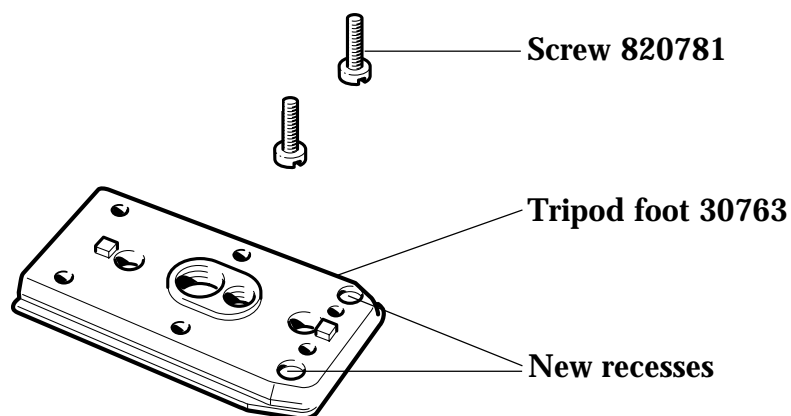
### Tripod foot modified!

The tripod foot, p/n 30763, has recently been modified to get a multipurpose use. The same part is now being used both in the above-mentioned cameras and in the 200 series cameras. (See info No. 5/95).

Two recesses have been made to accommodate the head of the new cylinder screw, p/n 820781.

The part No. of the foot remains the same since the modified one is fully compatible backwards.

Please exchange the exploded views in the Service Manual.



Encl. Exploded views 6A and 14A.

# S E R V I C E I N F O

5/95

## Hasselblad 201F and 203FE

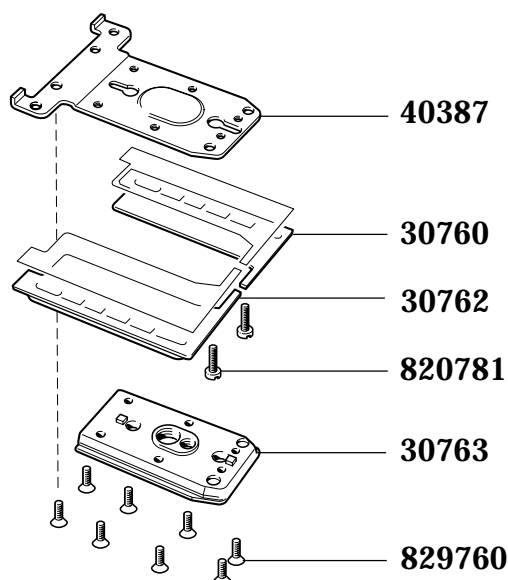
New tripod foot!

The new type tripod foot has gradually been incorporated in the 200 series cameras this year. Due to this a few other parts have been exchanged.

The new parts are:

40387	Support plate	
30760	Support, left	
30762	Support, right	
820781	Screw	(2 pcs)
30763	Tripod foot	
829755	Screw	(8 pcs)

Please file the enclosures in the corresponding Service Manual.



Encl. Exploded view 4b, 201F. (To be filed in the 201F Manual).

Exploded view 5:1b, 203FE. (To be filed in the 205TCC Manual).



# S E R V I C E I N F O

6/95

## **Tripod foot Part No. 30763**

New tool!

Since the above mentioned tripod foot is held by a special kind of Philips screw we have developed a corresponding cross-slotted screwdriver.

The price of the screw driver is DEM 22:-/US\$ 12,50.

The order No. is 904643, Cross-slotted screwdriver.

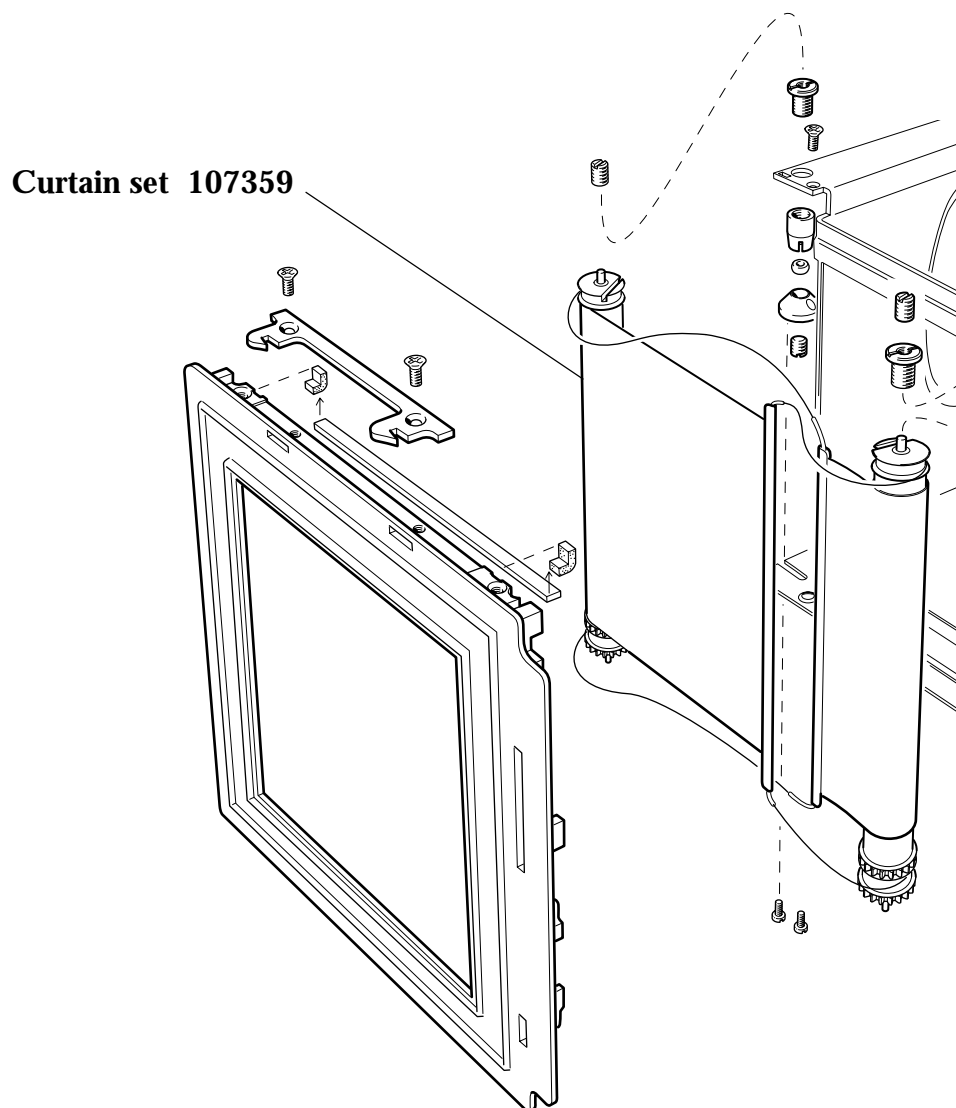
# S E R V I C E I N F O

7/95

## Hasselblad 201F

The spare part No. for the curtain set is unfortunately lacking on page 10 in the Service Manual 201F.

Please find updated documentation enclosed.

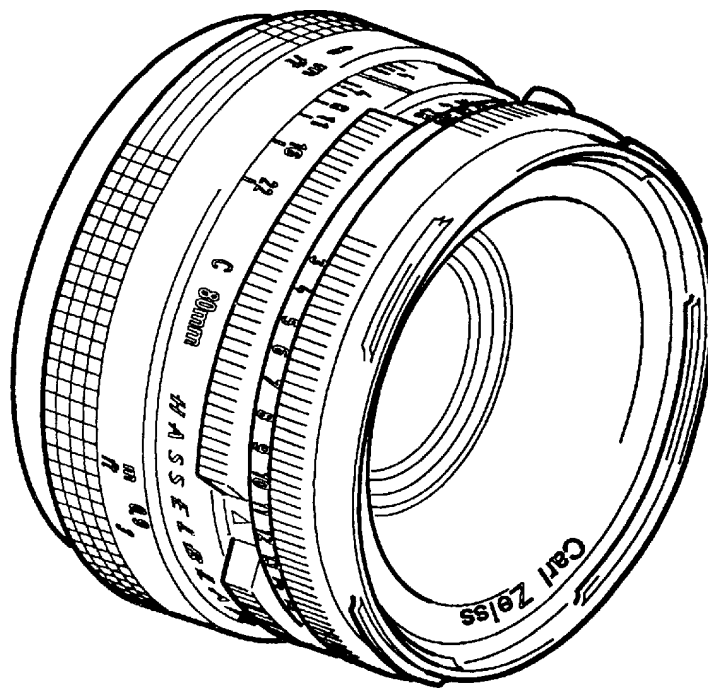


# S E R V I C E I N F O

8/95

## Planar C 2.8/80 (Shutter No. 602)

Please find enclosed exploded views and spare part specifications for the Planar C 2.8/80 lens.



Encl. Exploded views and specifications for Planar C80.

*H A S S E L B L A D*

Page 1 (1)

# S E R V I C E I N F O

9/95

## Hasselblad 503CXi

New tool!

This new tool is used for adjustment of the stop lever function in above mentioned camera. It should be used together with the winding knob, tool No. V-2206.

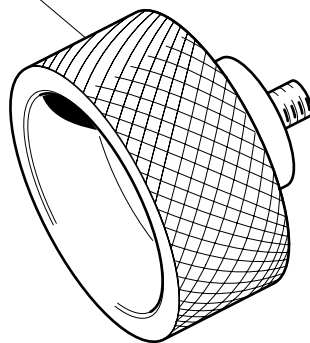
It replaces tool No. V-2231 which can not be used for the 503CXi due to a different kind of stop lever and coupling.

(V-2231 remains for the other 500 series cameras).

The tool No. is 904644, Bayonet plate.

Please place your order as soon as possible.

Existing tool V-2206



New tool 904644



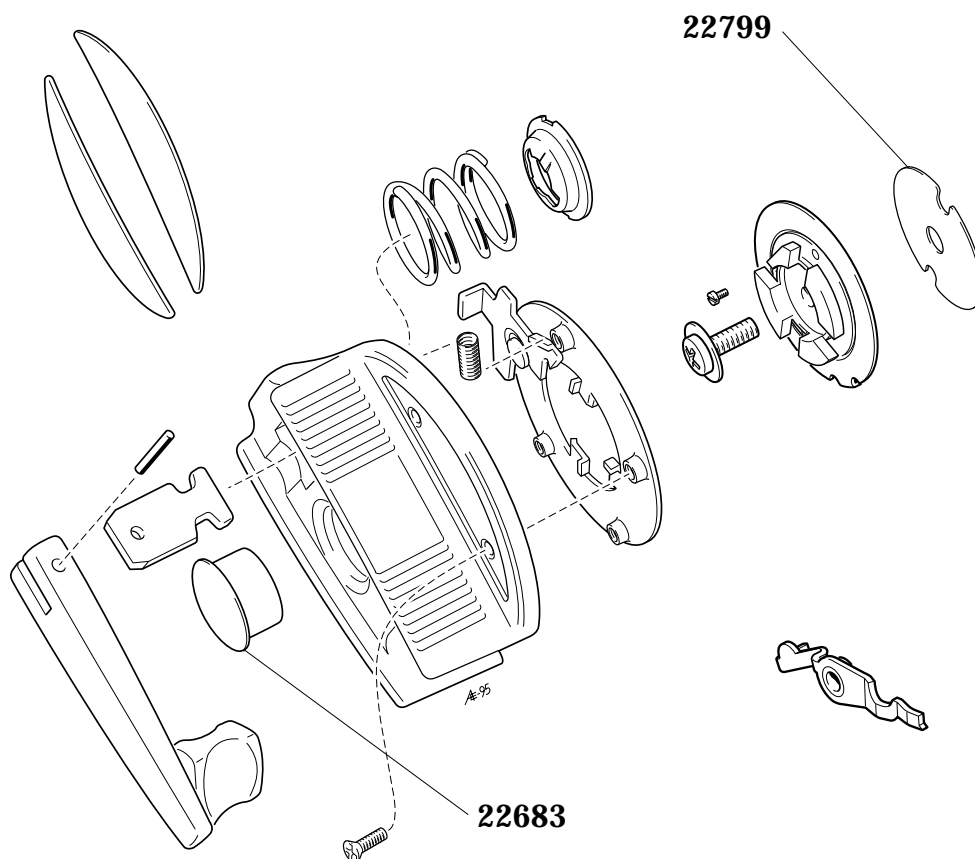
# S E R V I C E I N F O

10/95

## Hasselblad 503CXi

Please note that the rubber plug, part No. 22683 and the washer, part No. 22799 were lacking on the exploded view and in the specification page 15A of October 1994.

Updated pages according to the below sketch are enclosed.



Encl. Exploded view and specification 15A of April 1995.

**H A S S E L B L A D**

Page 1 (1)

# S E R V I C E I N F O

11/95

## Hasselblad 201F

The electronic circuit in the above mentioned camera has been redesigned. A so called "pressure point switch" has been added which means that the camera is activated by the pressure point in the same way as the 203/205. This was introduced from camera serial No. 16 EI 10640.

Except for the side circuit board also the self timer board, the mechanism plate and the release arm had to be modified.

There is a new cable from the side circuit board, a new contact pattern on the self timer board, two new holes on the mechanism plate and reshaped sliding contacts on the release arm.

Please note! Whenever the electronics needs to be replaced in cameras with serial No. below 16 EI 10640 also the modified mechanism plate and release arm must be changed.

Modified parts with  
new numbers:

105053, Mechanism plate  
105039, Mechanism plate compl.  
105105, Release arm

Modified parts keeping  
the existing numbers:

108886, Side circuit board  
108024, Electronics compl.  
108911, Self timer board

Parts no longer in  
production but still available:

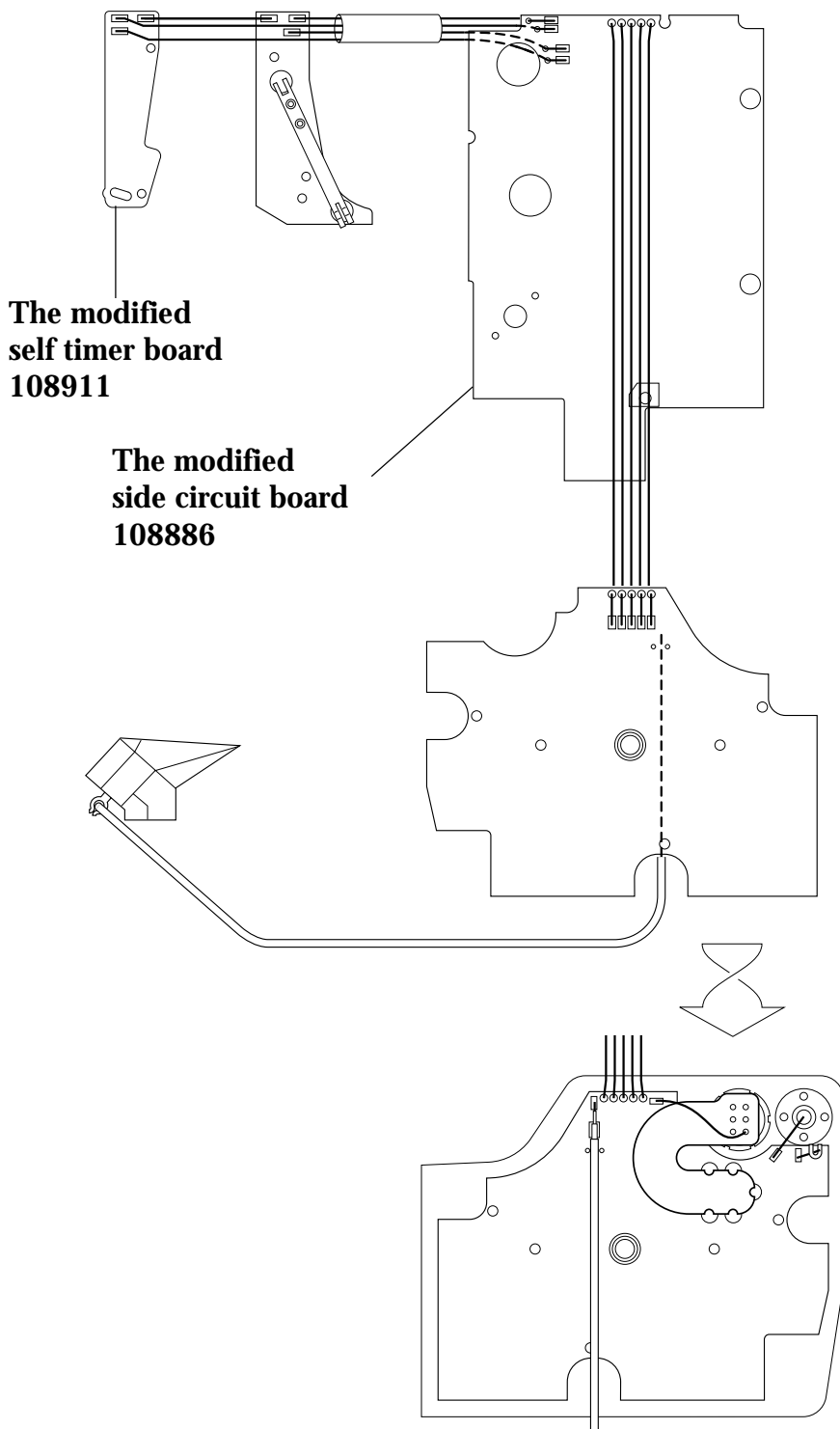
105048, Mechanism plate  
105027, Mechanism plate compl.  
105106, Release arm

Updated documentation for the Service Manual will follow in due course.

Page 2. Electronics

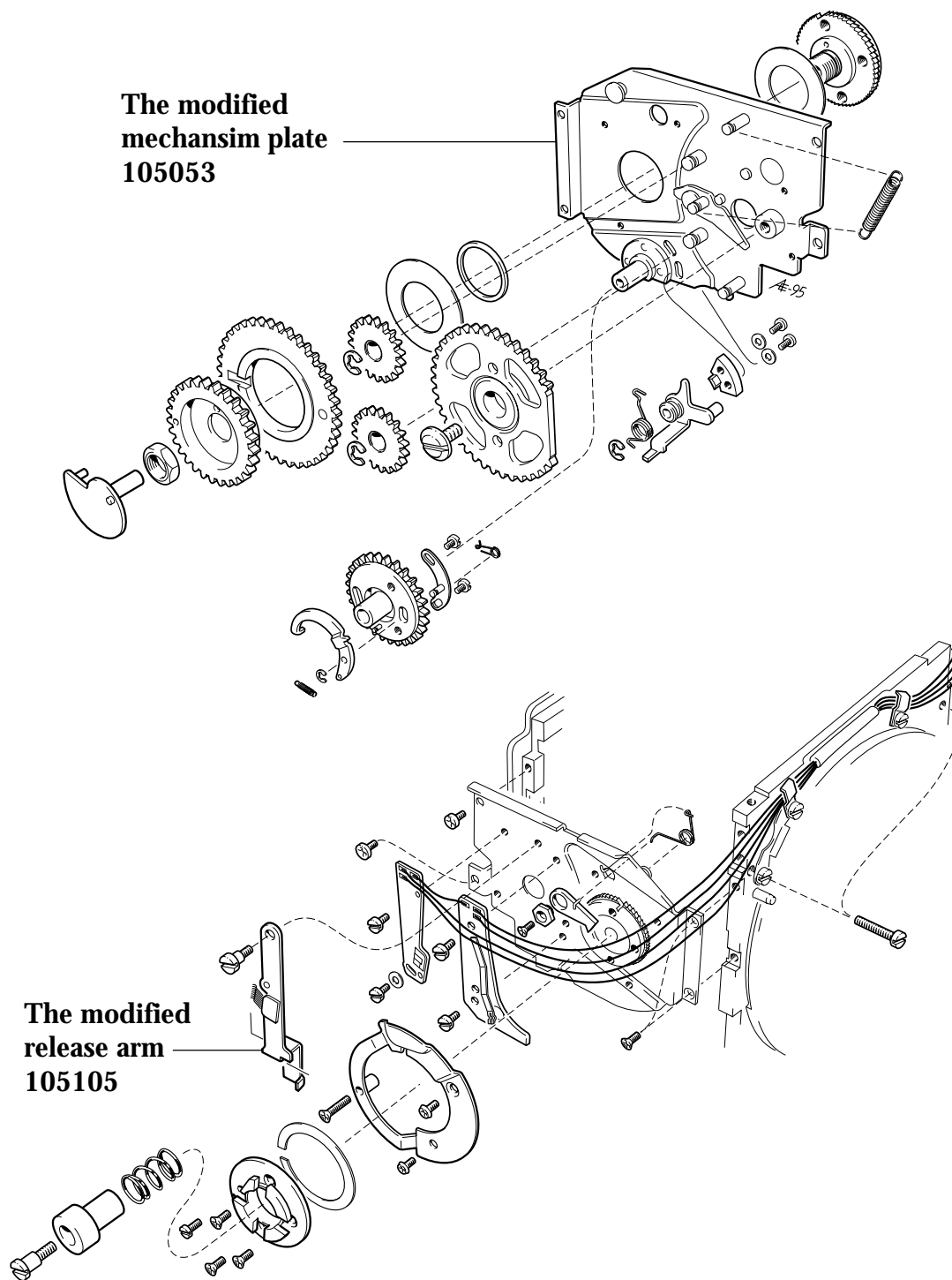
Page 3. Mechanism plate

**The modified electronics complete - 108024**



The modified mechanism plate complete - 105039

The modified  
mechanism plate  
105053



The modified  
release arm  
105105



# S E R V I C E I N F O

12/95

## **Re. Shipments of Spare Parts**

**In order to save time and to uniform the handling and the paper work we will as from August ship all parts (and possible repairs) separately by DHL. We will thus - unless you would instruct us otherwise - not wait to include such material with pending camera shipments.**

**DHL has proved to be a very efficient courier agency with a worldwide service, and we are sure that these procedures will be to our mutual benefit.**

**We would also like to take the opportunity of reminding you of proper stock levels of your spare parts. Continuous small parts shipments are expensive! So preferably pass over your orders to us once a month.**

# S E R V I C E I N F O

13/95

## Re. Customer Service Directory

"The Hasselblad Guide" has been revised and renamed and we enclose a copy for your information. Like before it comes with every new camera going out from the factory. You can also order limited quantities of free copies to be used and given to customers inquiring about addresses when travelling.

We would also like you to keep an eye on possible changes of addresses, telephone numbers etc. and to inform us about it, so that we keep the directory currently updated. Thank you.

# S E R V I C E I N F O

14/95

## Hasselblad 200 series cameras

Mirror and focusing screen adjustment for the 200 series cameras.

The 200 series cameras are built slightly different from the 500 series cameras concerning the focusing screen adjustment. Due to the use of high precision test equipment at the assembly line, deviations from perfect 45° mirror angle is compensated for when adjusting the focusing screen position. Doing so we assure minimum focusing differences over the full image format between the images on the focusing screen and on the film.

The result of the factory screen adjustment is, that the screen position may not be totally horizontal when tested in the gauge V-2229. This is still quite in order.

When servicing the 200 series cameras we recommend not to change the mirror angle, provided it is in tolerance when checked with the sighting tube in gauge V-2229. Deviations from perfect 45° angle has already been accompanied by non-horizontal focusing screen position.

However, if the mirror angle is out of tolerance, adjustment has to be made using the current procedures.

# S E R V I C E I N F O

15/95

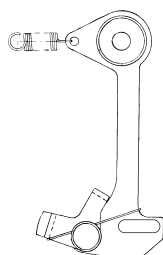
## Film magazines series A, E & TCC

The stop arm, part No. 13815, has been modified. The recess has been removed and the arm is no longer held by the clip 817112. (See sketch below). The spare part No. is changed from 13815 to 22715. The new arm was introduced in the production gradually from April 1995.

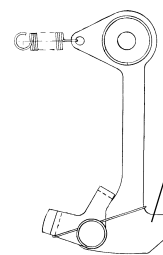
Due to the new arm also the riveted pin in the magazine support has been modified. The thin upper part of it, accommodating the clip has been cut and the lower thick part works as a support for the arm. (The part No. for the magazine support remains the same.)

When using the new arm in an old magazine, consequently the upper thin part of the pin must be cut-off, and the surface of the remaining part must be filed flat and polished.

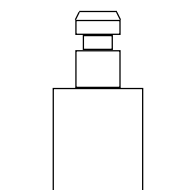
Old arm 13815



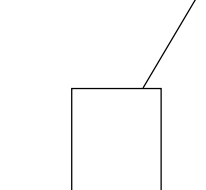
New arm 22715 without recess  
for the pin



Old pin



File and polish



# S E R V I C E I N F O

16/95

## Planar C 2.8/80 (Shutter No. 602)

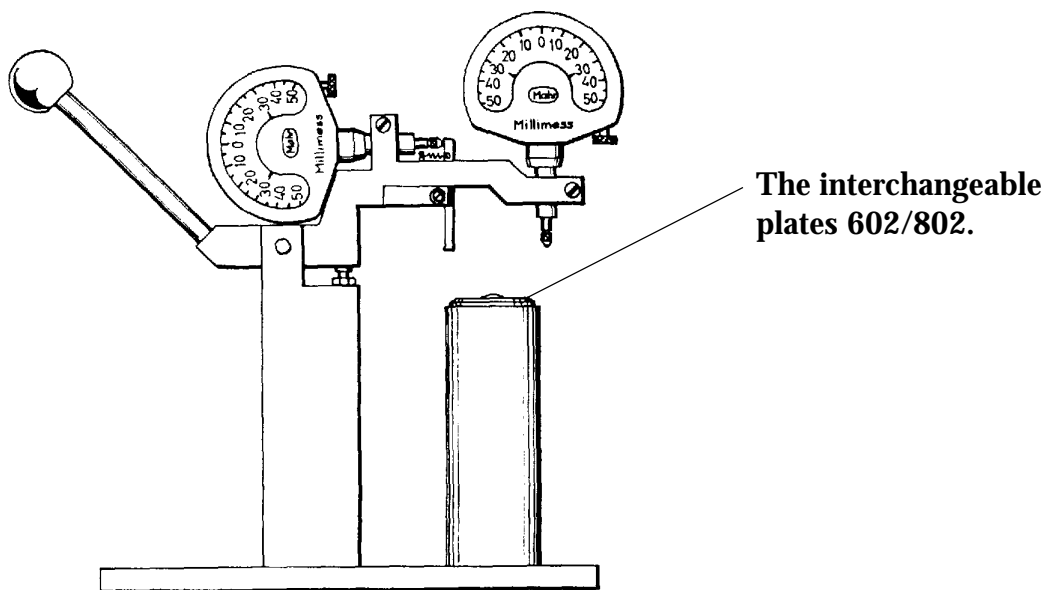
New tool!

Due to a new design of the lens mount the above mentioned lens can not be checked for planar trueness and concentricity by using the tool V-2180.

An interchangeable plate has therefore been developed. (See sketch below).

The tool No. is: V-2180-602, Plate.

The plate is held by two countersunk screws and a centering pin.  
Most likely the centering pin must be punched in to get the current "802" plate off.  
The pin can be left "not in use" after the plate replacement. However, the screws must be checked regularly.



V-2180

# S E R V I C E I N F O

17/95

## **New exploded views and specifications for the Service Manual Accessories III**

Please find enclosed the following:

- \* **Specification Converter 2XE, (Revision 1).  
Pos No.10. Spare part No. changed from 435 351 to 435 111.**
- \* **Extension tubes 16E, 32E and 56E.**
- \* **Standard focusing hood.**
- \* **Focusing hood E.**
- \* **Updated contents list.**

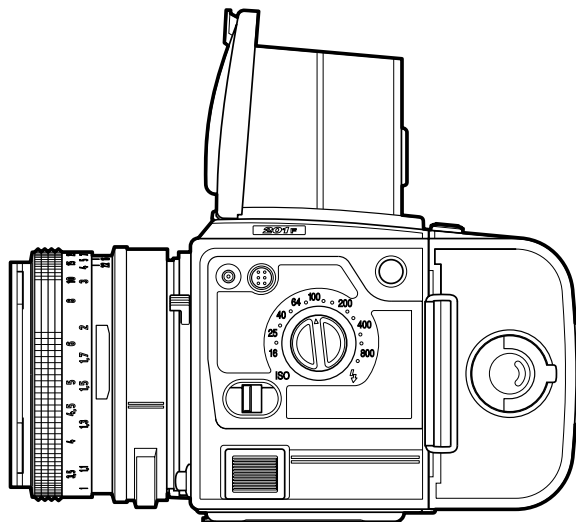
# S E R V I C E I N F O

18/95

## Hasselblad 201F

Please find enclosed revised documentation for the Service Manual 201F according to Service Info 11/95.

- \* Specification 2:3
- \* Checks & Adjustments 3:2
- \* Specification 7
- \* Exploded view 7
- \* Specification 8
- \* Exploded view 8
- \* Exploded view 17



# S E R V I C E I N F O

19/95

## Hasselblad 205FCC

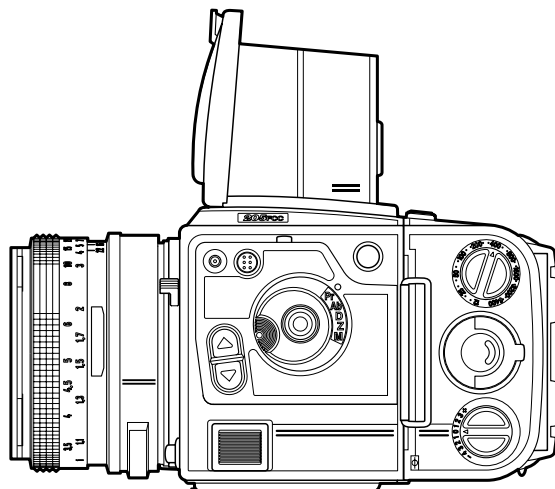
Recently the new camera body 205FCC was introduced. It has an automatic electronically controlled shutter with an automatic bracketing function and programmable placement zone mode.

As far as spare parts goes, they are basically the same as for the 205TCC with a few exceptions.

The new spare parts are the following:

Name plate (shell)	105958	2 pcs
Control panel, compl.	105021	1 pc
Mode selector dial	105119	1 pc
Mode plate (for the above)	105914	1 pc
Tape for mode plate	107464	1 pc
Main circuit board	107468	1 pc

Exploded views will follow in due course.





# S E R V I C E I N F O

20/95

## Film magazine E12, E16, E24

As previously informed, the new designed dark slide holder in the above mentioned magazines is affixed by means of a bond tape. Recently we have had a few complaints regarding slide holders fallen off most likely due to variations in the quality/chemical structure of the tape.

In addition to the tape, the slide holder is from now on also fixed with glue. The glue, which is a black synthetical rubber based type, is applied on the tape surface and on the areas surrounding it. (See the sketch below).

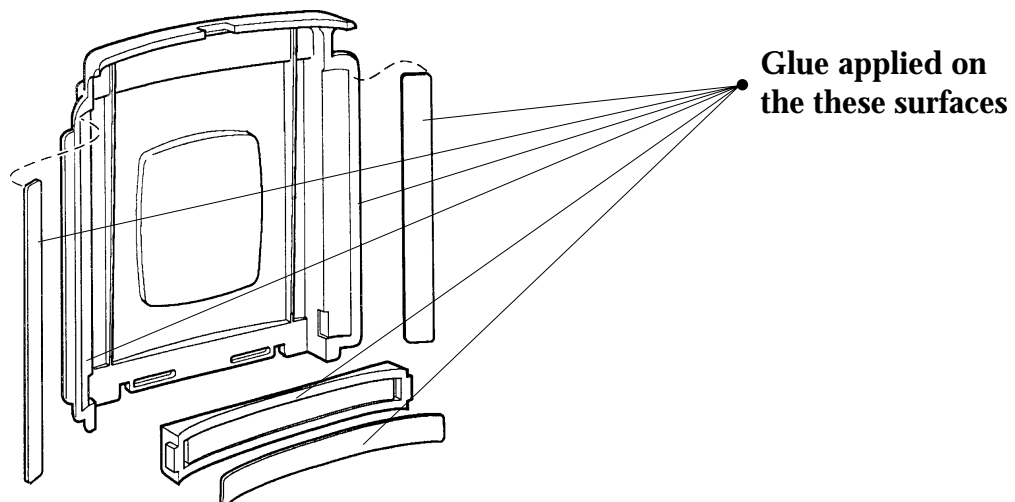
This was introduced in our production from serial No. 36EC10816 (E12)  
37EC10061 (E16)  
38EC10131 (E24)

In case of complaints, glue should be added to secure the slide holder.

Apart from this we would also like to point out that when the slide holder has been removed in connection with service to the mechanism, the tape must be renewed and glue added.

We also want to emphasize once again that it is not recommended to mount dark slide holders on old magazines.

This is a company policy in this issue and also due to the fact that it could cause light leakage.



# S E R V I C E I N F O

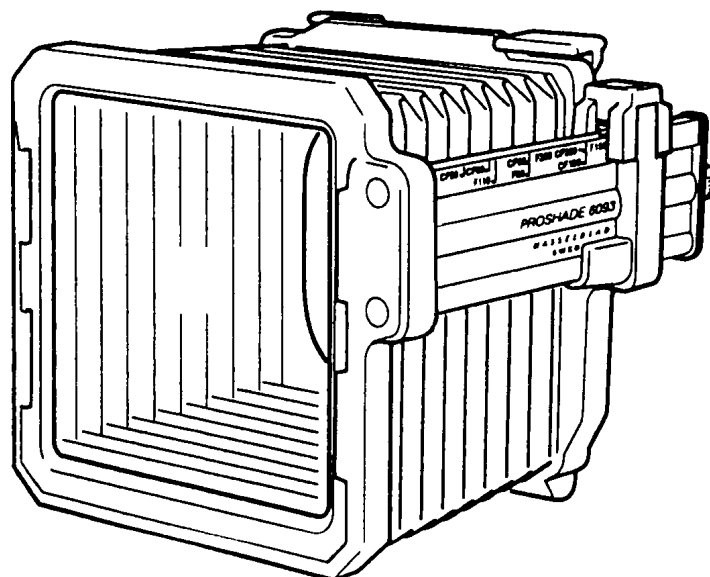
21/95

## Hasselblad Proshade 6093-T

Please find enclosed the following:

- Specification Proshade 6093-T, page 12.
- Exploded view Proshade 6093-T, page 12.
- Updated contents list.

The above should be filed in the Service Manual Accessories III.



# S E R V I C E I N F O

22/95

## **Spare parts**

**The current price list has been valid during a rather long period now, and there will be a revision as from October 1st.**

**In the new list we have had to consider as well changes in rates of exchange as production costs and overheads in both directions - up and down!**

**The list is quite extensive -118 pages in all -so before distributing it, please let us know whether you hopefully could do with a disk only.**

# S E R V I C E I N F O

23/95

## Hasselblad 553ELX

**New motor!**

In order to improve the overall performance the 553ELX has been equipped with a new motor.

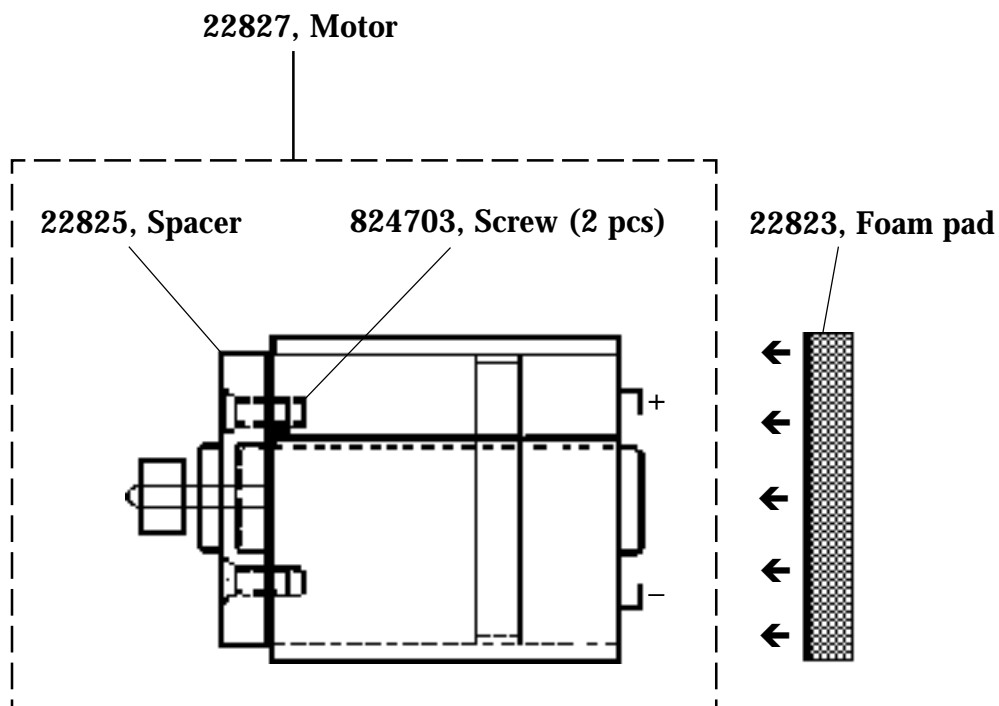
The new motor recycles faster and consumes less batteries.  
Please observe that it has a different sound due to altered gear ratio.

It was recently introduced in our production from camera serial No. 12EC14871.

The spare part No. is 22827 and it is fully compatible backwards.

Please note that the blue wire should be soldered to the tab marked +.

A foam pad should be attached, according to the sketch below, before the motor unit is remounted in to the motor housing.



# S E R V I C E I N F O

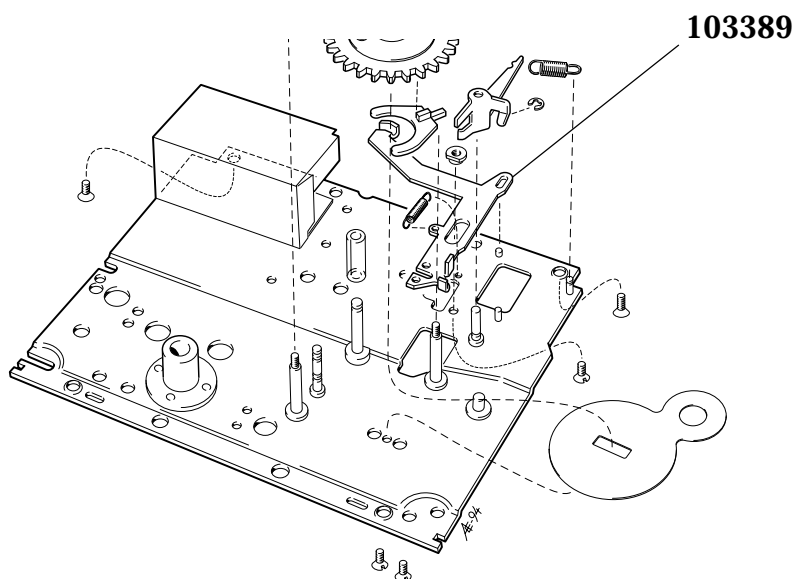
24/95

## Hasselblad 201F and 205TCC

**Incorrect spare part number in the Service Manuals!**

Service Manual 201F, page 12 and Service Manual 205TCC, page 10:2.  
Position No. 8: The correct No. is 103389.

**Please find updated documentation enclosed.**



Encl. Spec. 12, 201F and spec. 10:2, 205TCC.

**H A S S E L B L A D**

Page 1 (1)

# S E R V I C E I N F O

25/95

## Film magazines series A, E and TCC

The magazine shell and the magazine support have been modified. The light-proof strip on the right side of the shell (with two screw holes) and the two corresponding screw holes in the magazine support have been eliminated. They have been replaced with a new type of light seal and internal cover (see sketch in enclosure).

### Modified parts keeping the existing numbers:

308023	Shell, chrome
308024	Shell, black
308364	Magazine support, E/TCC 12, 24
309344	Magazine support, E/TCC 16
30752	Magazine support, A12, A24
30751	Magazine support, A16

### New spare parts:

22716	Light seal	1 pc
22747	Cover	1 pc
308488	Tape for cover	3 pcs

### Old, but still available spare parts:

12942	Light seal
21490	Cover, A12/16/24
308402	Cover, A12/16/24TCC
820013	Screw

Please note! If a modified shell is fitted to an unmodified magazine support, the two screw holes in the magazine support must be covered with black tape to prevent light leakage (see sketch in enclosure).

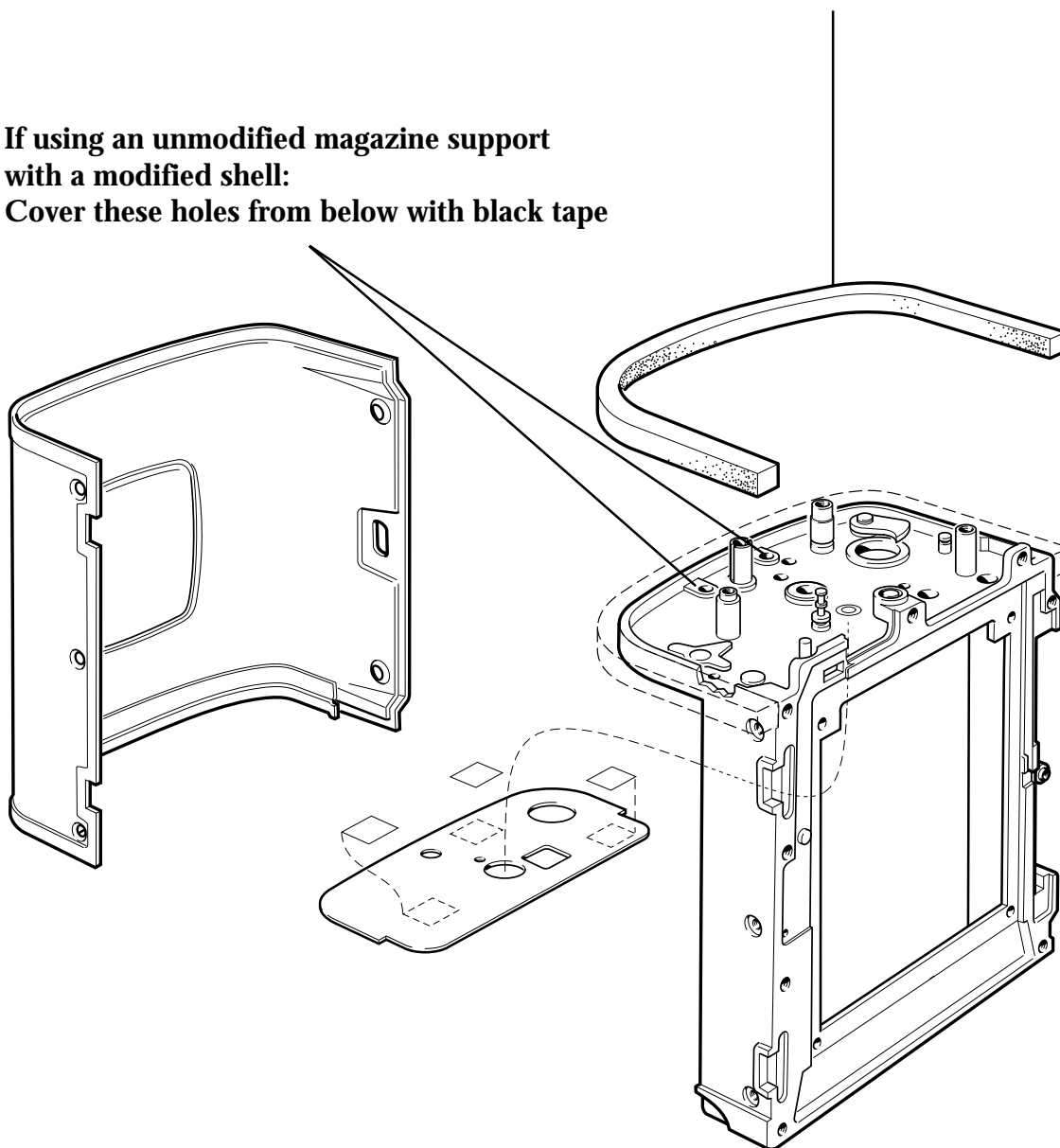
This modification was gradually introduced into production during the period late 1994 to early 1995.

Exploded views will follow in due course.

Page 2. Sketch

Please note the position of  
the new light seal! (22716)

If using an unmodified magazine support  
with a modified shell:  
Cover these holes from below with black tape



# S E R V I C E I N F O

26/95

## Film magazine A16

A new spool holder has been introduced for the A16 magazine. This is based on the spool holder that is used for the E16 magazine and A16TCC, but has some unique spare parts.

The new spare parts are the following:

Cover, chrome	22762	1 pc
Cover, black	22764	1 pc
Leather (for cover)	12289	1 pc
Spool holder, compl. chrome	309022	1 pc
Spool holder, compl. black	309023	1 pc

Exploded views will follow in due course.



# S E R V I C E I N F O

27/95

## Film magazines A12, A16 and A24

These magazines have been redesigned with new leathers for the magazine shell and the right cover, as well as a new name plate. This is to bring the design in line with the E magazines.

The modification has been made to: A12 magazines from serial No. 30EC79141  
A16 magazines from serial No. 31EC13611  
A24 magazines from serial No. 32EC20216

New spare parts:	308534	Name plate, A12
	309507	Name plate, A16
	311407	Name plate, A24
	308411	Leather, cover right
	30312	Leather, shell
	22404	Leather, knob

Old, but still available spare parts:	13091	Name plate, A12
	13082	Name plate, A16
	13748	Name plate, A24
	13080	Leather, cover right
	21537	Leather, shell
	22440	Sign plate, A12
	22438	Sign plate, A16
	22441	Sign plate, A24

Exploded views will follow in due course.

# S E R V I C E I N F O

28/95

## Hasselblad 203FE, and 205FCC/TCC

**New adapter!**

**This tool is designed for adapting a 203/205 camera chassis (shell removed) in the tool V-2229. This is necessary in order to check and adjust the mirror angle and the position of the focusing screen.**

**The tool No. is 904759, Adapter 203/205.**

**Please place your order as soon as possible.**

# S E R V I C E I N F O

1/96

## Hasselblad 203FE

In order to improve the reliability and to simplify the adjustment procedures the contact flex in the above mentioned camera has been modified.

The pattern of the pressure point and the self timer switch has been reshaped. The sliding contacts on the release arm have been modified accordingly and two new holes have been added to the side mechanism plate.  
(Also see Service Info 11/95).

The modification was introduced in our production from camera serial No. 18EC10445.

Please note! Whenever the contact flex needs to be replaced in cameras with serial No. below 18 EC 10445 also the mechanism plate and the release arm must be changed.

Modified parts with new numbers:

105057, Contact flex  
105053, Mechanism plate  
105039, Mechanism plate compl.  
105105, Release arm

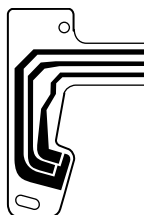
Parts no longer in production but still available:

105106, Release arm

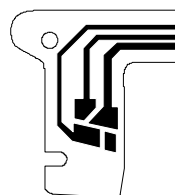
Parts no longer available:

105046, Contact flex  
105048, Mechanism plate  
105027, Mechanism plate compl.

New type - 105057



Old type - 105046 (Discontinued)



Please note! The information above also concerns all camera bodies 205TCC.

# S E R V I C E I N F O

2/96

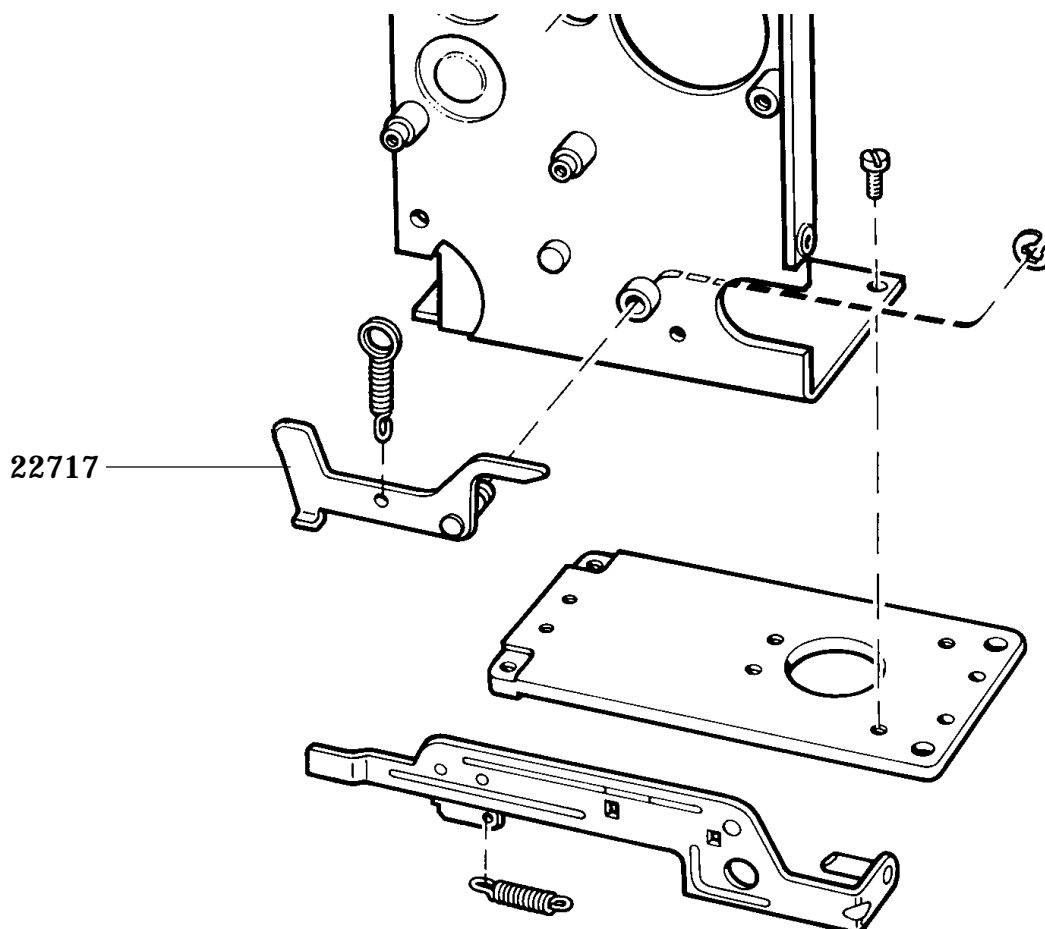
## Hasselblad 501C and 503CXi

Due to the removal of the indicator window on the camera shell the signal arm has been shortened and has no longer any red/white indications.

This was introduced in our production from camera 501C serial No. 17EC14636 and camera 503CXi serial No. 11EC38650.

The new signal arm has the spare part No. 22717.

The previous one, part No. 13220, is of course still available.



# S E R V I C E I N F O

3/96

## Hasselblad 201F, 203FE & 205FCC

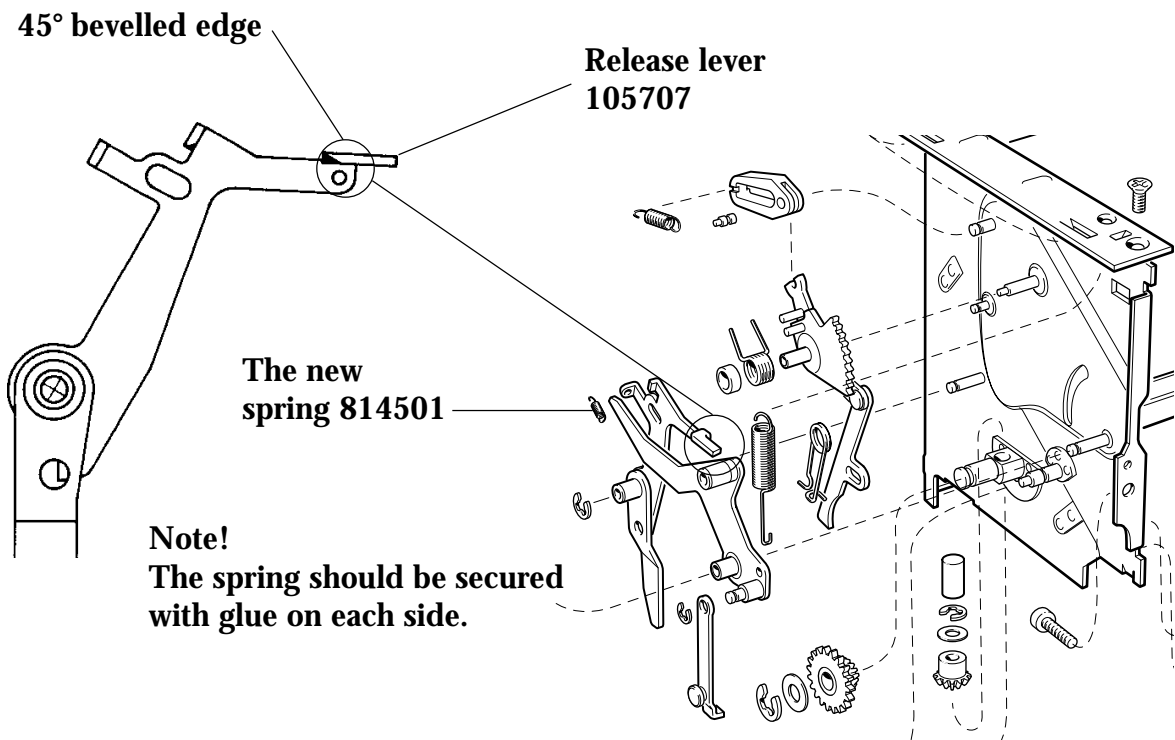
On a few occasions it has happened that the winder failed to release the camera when using the remote control.

This fault has been analysed and turned out to be related to the battery coming out of position.

Therefore, a battery support has been added in the remote control.

The modification was introduced in our production in February and from camera serial No. 203FE 18ET10150, 205FCC 15ET10022 and 201F 16EC11277.

As a preventive measure, we would like you to change these two parts in all 200 series cameras coming in for repair including the 205TCC.



# S E R V I C E I N F O

4/96

## Hasselblad PC-Mutar 1.4x

Please find enclosed a Service Manual, modification instruction sheet and an enclosure for the Instruction Manual for the PC-Mutar 1.4x.

As described on page 8 in the service manual, the double cable release has recently been modified. A flexible open-L connector for the cable connected to the camera, and a new type of locking nut has been added. This, to improve the operation and to simplify the adjustment.

We advise you to make this modification on the PC-Mutars you might have in stock as well as on all incoming repairs by using the enclosed instruction.

Encl.    Service Manual  
          Enclosure for Instruction Manual

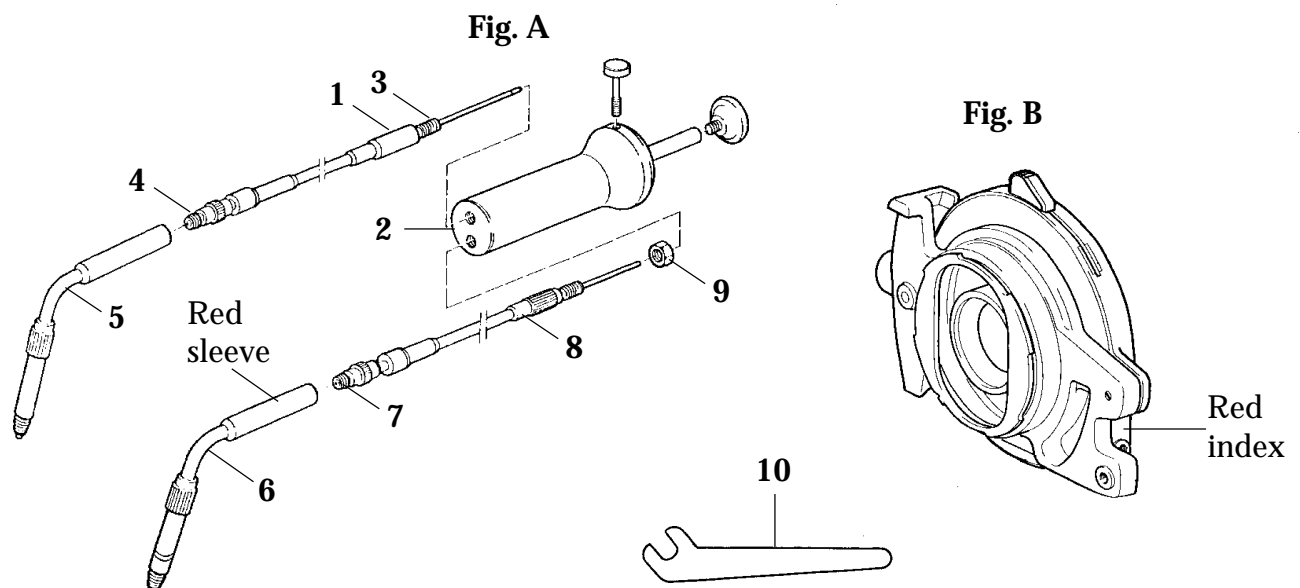
Page 2.    Modification instruction

*H A S S E L B L A D*

Page 1 (2)

### Modification instructions of double cable release for the Hasselblad PC-Mutar 1.4x

1. **Modification of the fixed release cable (Fig. A):**
  - 1.1 Unscrew the fixed release cable **1** from the double cable release body **2**.
  - 1.2 Put a few drops of loctite 243 on the threads **3** and screw the cable fully into the double cable release body again.
  - 1.3 Put a few drops of loctite 243 on the threads **4** and screw the fixed release cable **1** into the flexible open-L connector **5**.
2. **Modification of the adjustable release cable (Fig. A):**
  - 2.1 Pull a red heat-shrinkable sleeve over the fixed open-L connector **6** and heat the sleeve with a heating gun until it shrinks properly.
  - 2.2 Put a few drops of loctite 243 on the threads **7** and screw the adjustable release cable **8** into the fixed open-L connector **6**.
  - 2.3 Unscrew the adjustable release cable **8** from the double cable release body **2**. Replace the knurled grip locking nut with the new type locking nut **9** and screw the cable back into the release body.
3. Apply the red index above the lens release cable thread at the PC Mutar **Fig. B**.
4. Enclose the tool **10** for the locking nut and an enclosure to the instruction manual.



# S E R V I C E I N F O

5/96

## Price Adjustments

The current price list, 1995-10-01, has been revised and a number of parts given lower prices. Almost two hundred parts have been involved, so please be observant on our billing prices as you receive new parts shipments from us.

It goes of course without saying that the new prices must also influence yours in a positive way for the customer!



# S E R V I C E I N F O

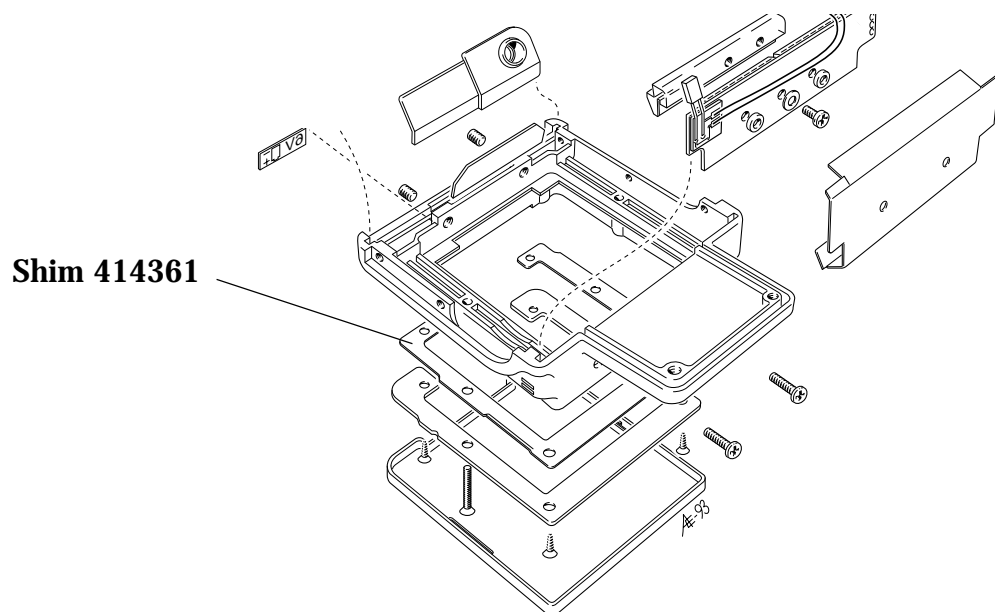
6/96

## Hasselblad prism finder PM5 & PME51

Some finders in recent deliveries have unfortunately been fitted with a defective shim plate, part No. 414361 causing resistance when fitting the finder onto a camera body. The profiles have been bent down too much. You can either flatten the shim or simply replace with a correct one. (5 shims enclosed herewith).

The defective shims may be found on finders delivered to you in the period of October 95 to April 96. Please check possible stock of finders and correct if necessary.

We regret the inconvenience that might be caused by this error.



# S E R V I C E I N F O

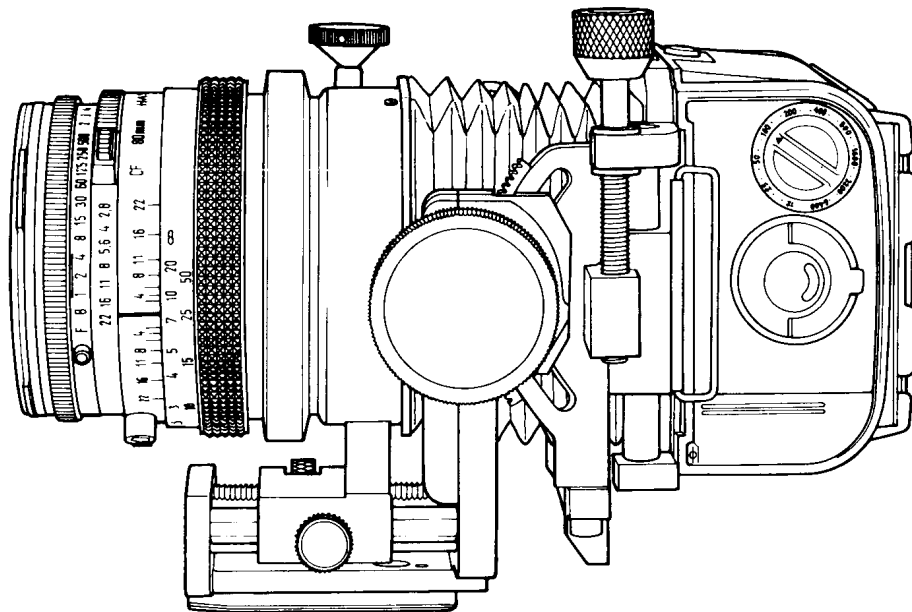
7/96

## Hasselblad FlexBody

Recently the FlexBody was released. Please find enclosed the Service Manual with the following contents.

- Specifications and exploded views FlexBody, page 13:1 - 13:3.
- Specifications and exploded views Screen adapter, page 13:4.
- Lubrication, page 13:5.
- Repair, page 13:6 - 13:7.
- Updated contents list.

The above should be filed in the Service Manual Accessories III.



# S E R V I C E I N F O

8/96

## Film magazines E12, E16, E24 and E12CC

New dark slide holder!

The dark slide holder and the magazine shell have been redesigned. The new slide holder is fixed with four screws.

New spare parts:	308 536	Dark slide holder	1pc
	308 400	Support	1pc
	826 032	Screw	4pcs
	308 015	Shell, chrome	1pc
	308 016	Shell, black	1pc

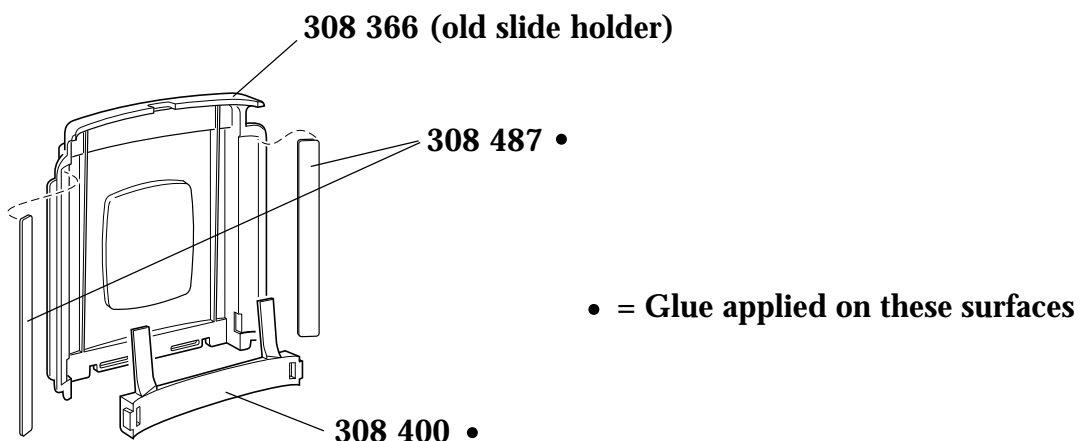
Spare parts no longer  
in production but still  
available:

308 366	Dark slide holder	1pc
308 487	Tape	2pcs

Spare parts no longer  
available:

308 440	Support	1pc
308 449	Plate spring	1pc

Please note! New type support 308 400, is compatible to old type dark slide holder 308 366 (See sketch below).



# S E R V I C E I N F O

9/96

## Film magazines A24 and E24

In order to increase the distance between the mark (double arrow) at the backing paper and the first exposure the eccentric 22171 and the screw 820 013 have been replaced by a fixed stop screw.

It was recently introduced in our production from serial No. 32ET10135 (A24), and serial No. 38ET10196 (E24).

The new part No. is 822 065 (secured with loctite) and it is fully compatible on all 24 magazines with the eccentric.

Please note! The above mentioned strictly concerns the 24 series magazines using 220 films.

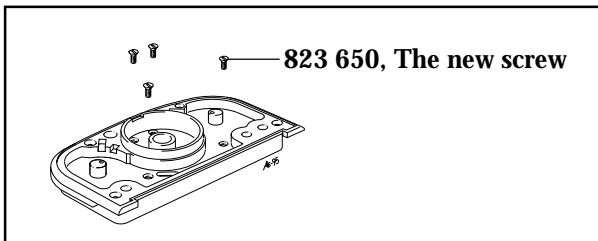
# S E R V I C E I N F O

10/96

## Film magazines E12/16/24, E12CC and A16

### Modified spool holder!

The four screws 823 450 (1.6mm) have been replaced by the screw 823 650 (2.0mm). Due to this the end plate and the intermed. part have been modified.



The modification concerns the following:

E12 magazines from serial	No. 36ET10461
E16 magazines from serial	No. 37ET10172
E24 magazines from serial	No. 38ET10201
E12CC magazines from serial	No. 35ET10001
A16 magazines from serial	No. 31ET10171

Modified parts keeping  
the existing numbers:

312 323	End plate E12/24/E12CC
308 516	Intermed. part E12/24/E12CC
313 322	End plate E16/A16
309 506	Intermed. part E16/A16

Please note! Whenever the end plate and the intermed. part needs to be replaced in magazines below the serial numbers mentioned above, both parts should be changed at the same time.

# S E R V I C E I N F O

11/96

## **New products!**

**Please find enclosed specifications, exploded views and service instructions for the following new products:**

- **Reflex viewfinder RMfx**
- **Magnifying hood HM2**
- **Tripod quick-coupling S**
- **Teleconverter 1.4XE**
- **Meter prism viewfinder PME90**

**The material should be filed in the Service Manual Accessories III according to the enclosed contents list.**

### **Note!**

**The meter prism viewfinder PME90 has microprocessor controlled electronics. Variable resistors are eliminated. The calibration is done by software writing corrections into an EE-prom.**

**Therefore the Hasselblad Service Test System and an IBM compatible PC must be used for calibration work.**

**Updated software for the STS will be distributed shortly.**

# S E R V I C E I N F O

12/96

## Tripod foot adapter/kits

In order to be able to use the new improved Tripod Quick-coupling S on Hasselblad cameras without the new type of tripod foot, an universal adapter foot has been developed which has the sales code No. 45148.

The adapter foot is mounted in the existing tripod socket of the camera body by the customer himself.

We also have a variety of service kits available for a permanent modification of the camera or the automatic bellows extension as follows:

<b>Spare part No. ZZ 95</b>	<b>500/2000 Adapter</b>
<b>Contents:</b>	<b>Tripod foot and screws</b>
<b>Limitations:</b>	<b>500C/M from serial No. RH 1271268 All 503CX All 2000FCW All 2003FCW</b>
<b>Spare part No. ZZ 96</b>	<b>200 Adapter</b>
<b>Contents:</b>	<b>Tripod foot, screws and rubber supports</b>
<b>Spare part No. ZZ 97</b>	<b>553ELX Adapter</b>
<b>Contents:</b>	<b>Tripod foot, screws and 4 pcs of leather</b>
<b>Limitations:</b>	<b>Strictly 553ELX</b>
<b>Note!</b>	<b>4 pcs rubber foot must be removed underneath the motor housing. The holes to be covered by the enclosed leathers</b>
<b>Spare part No. ZZ 98</b>	<b>903SWC Adapter</b>
<b>Contents:</b>	<b>Tripod foot, intermediate foot and screws</b>
<b>Limitations:</b>	<b>Strictly 903SWC</b>
<b>Spare part No. ZZ 99</b>	<b>Automatic Bellows Adapter</b>
<b>Contents:</b>	<b>Tripod foot, intermediate foot and screws</b>

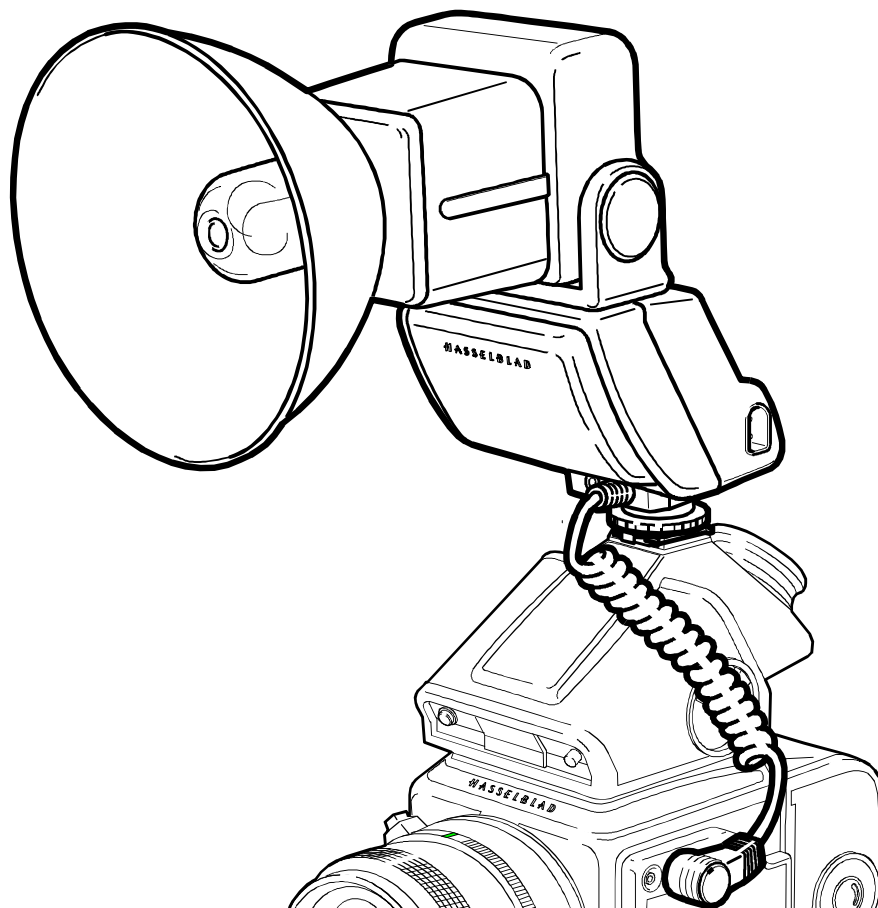
The price for each service kit is SEK 250:-

# S E R V I C E I N F O

13/96

## Hasselblad D-Flash 40

Concerning the new flash please be informed that specifications, exploded views and service instructions will follow early October.





# S E R V I C E I N F O

14/96

## Hasselblad 503CW

### New Service Manual!

The Service Manual for the new camera body 503CW recently released is now available.

It contains service instructions as well as a complete spare part catalogue with exploded views.

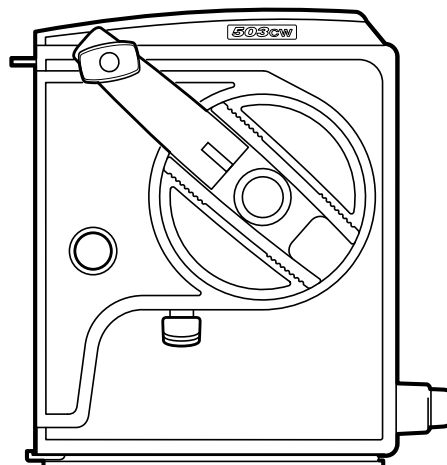
The camera bodies 501C, 503CXi, 503CX and the 500C/M Classic are also included.

Except the regular 500 series tools which are listed in the Service Manual an additional tool is required.

It is a small cross-slotted screw driver to be used inside the mirror box.

Use tool No. 905020 (Screw driver CW) when placing your order.

One copy of the Service Manual will be distributed automatically.  
Additional copies to be ordered and paid for as usual.



# S E R V I C E I N F O

15/96

## Hasselblad Winder CW

### New Service Manual!

Specifications, exploded views and service instructions for the new Winder CW will be distributed shortly.

When received, the pages should be filed in the Service Manual Accessories III.

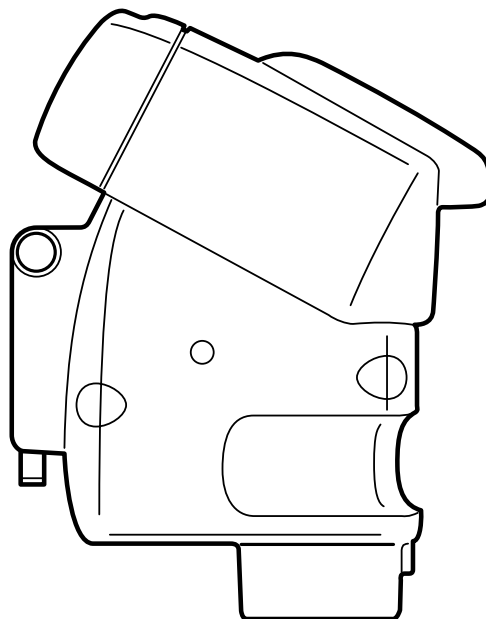
The new Winder CW requires the Hasselblad Service Test System and an additional adapter for the calibration work. The adapter is supplied by us and will come with necessary instructions, cables and software.

Use the tool No. 970995 (Adapter Winder CW) when placing your order.

So-called "TORX" type screws are used in the Winder CW which require a special screw driver.

This screw driver is also supplied from us.

Use the tool No. ZZ35 (Torx T6) when placing your order.



# S E R V I C E I N F O

16/96

## Hasselblad meter prism viewfinder PME90

As mentioned in the Service Info 11/96 the meter prism viewfinder PME90 has microprocessor controlled electronics. Variable resistors are eliminated. The calibration is done by software writing corrections into an EE-prom. The Hasselblad Service Test System and an IBM compatible PC must be used for the calibration work.

In addition to the Test System an adapter between the PC and the PME90 is required.

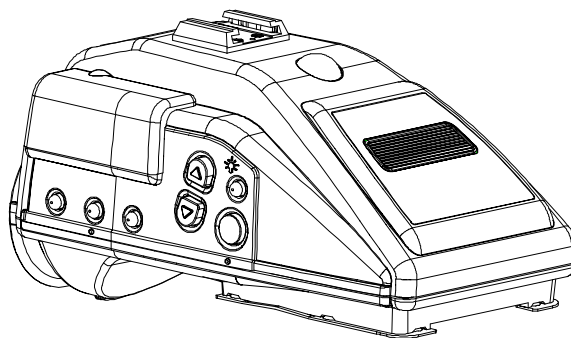
The adapter is supplied by us and comes with necessary instructions, cables and software.

Use tool No. 971006 (Adapter PME90) when placing your order.

Another new tool is required for the calibration work.

It is a tube to be placed between the light box and the incident light dome of the finder. This, to avoid any ambient light to affect the calibration.

Use tool No. 905018 (Tube PME90) when placing your order.



# S E R V I C E I N F O

1/97

## Hasselblad 500EL, EL/M and 500ELX

Please be informed that the rechargeable batteries for the camera bodies mentioned above soon will be discontinued.

The battery type is the Varta NiCd 5/V500RH with the sales code No. 56081.

For those customers requiring new batteries in the future you can offer a modification to the camera at a reasonable price as an alternative.

The camera will then be modified to accommodate regular 1.5 volt AA batteries like the 553ELX.

The modification should be done according to the following:

- The motor unit must be modified with the 553ELX mounting plate containing the contact spring.
- The AA type battery compartment (incl. the PCB for battery check) should be installed in the motor housing.
- The 553ELX type battery cover in chrome or black should be used.

The parts are: 22645, Mounting plate  
50178, Battery compartment  
30737, Battery cover chrome (black = 30742)

The prices from us for the above parts will be reduced to offer customers the conversion at a reasonable cost. Correspondingly you are requested to have a low mark-up on these parts.

**Note!**

Customers should be warned not to plug a battery charger into the camera when non-rechargeable batteries are used.

# S E R V I C E I N F O

2/97

## Hasselblad IR Remote Control and Winder CW

On a few occasions it has happened that the winder failed to release the camera when the remote control was used.

This fault has been analysed and turned out to be related to the battery getting out of position.

Therefore, a battery support has been added according to the sketch below.

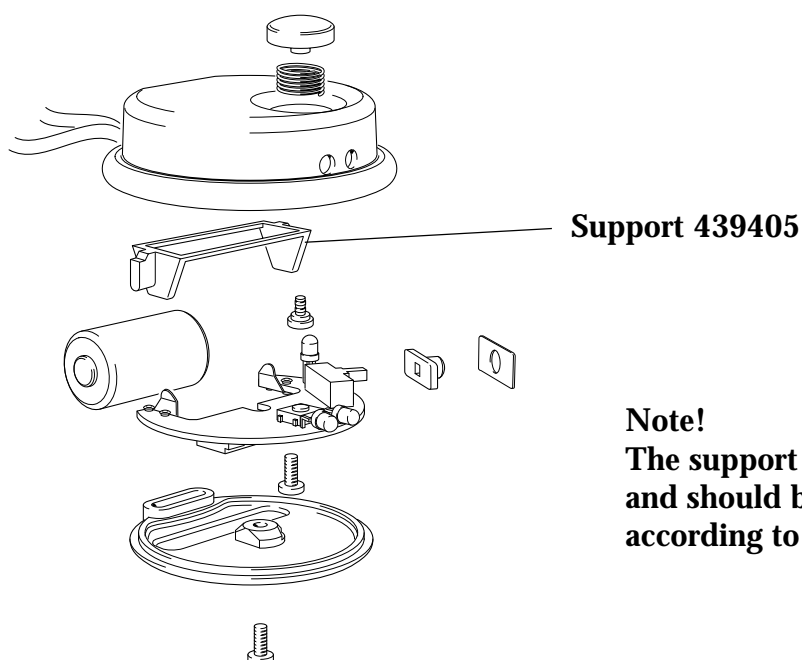
The new part is: 439405, Support.

The winders between serial No. 432ET1016 and 432ET2000 were delivered with remote controls without the above mentioned support.

Please check possible stock and correct if necessary.

We regret the inconvenience caused.

Updated pages for the Service Manual Accessories III are enclosed.  
Please change accordingly.



**Note!**  
The support is unsymmetrical  
and should be mounted  
according to the sketch.

# S E R V I C E I N F O

3/97

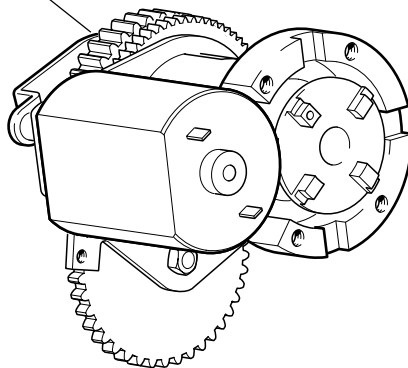
## Hasselblad Winder CW

Spare part No. changed according to the following:

Winding unit. Spare part No. changed from 438023 to 438021.

An updated page for the Service Manual Accessories III is enclosed.

Winding unit, 438021



# S E R V I C E I N F O

4/97

## Hasselblad 200 series cameras

The light seal foil, part No. 105133, has been modified according to the sketch below.

The foil is now mounted on an 90° angle plate which is directly fitted to the chassis with double sided tape.

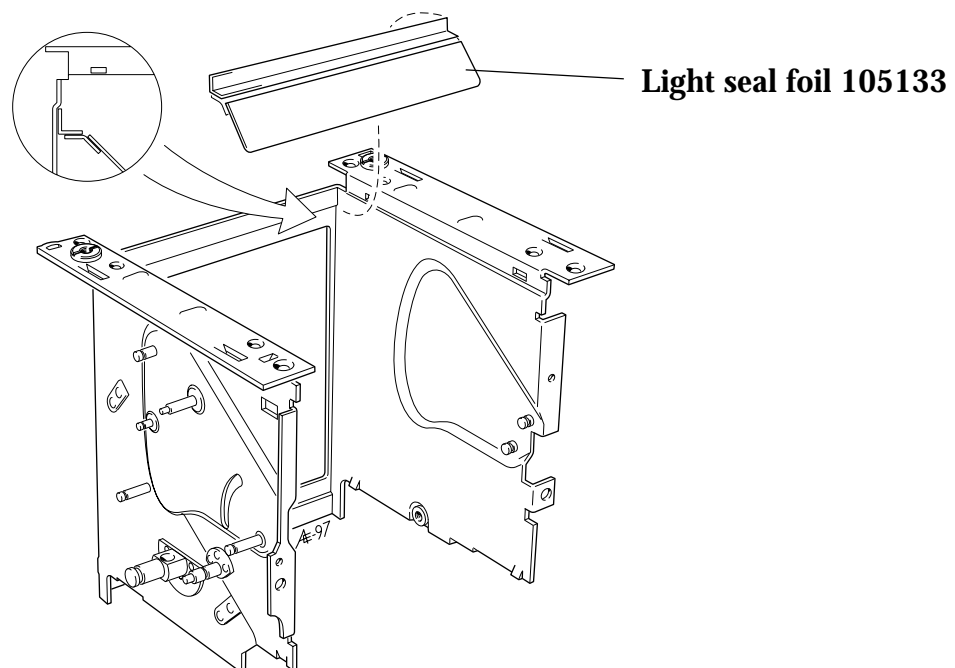
The mounting position is also different compared to the previous version. This, to reduce the stress to the foil caused by the camera mirror and mirror yoke.

The modification was recently introduced in our production from camera serial No. 203FE 18ET10902    205FCC 15ET10226    201F 16ET10268.

As a preventive measure, we would like you to change the light seal foil in all 200 series cameras coming in for repair including the 205TCC.

### Note!

When replacing the foil the mounting surface must be cleaned properly and a suitable support must be used on the reverse side of the chassis to prevent damage.



# S E R V I C E I N F O

5/97

## Hasselblad 903SWC

New tripod foot!

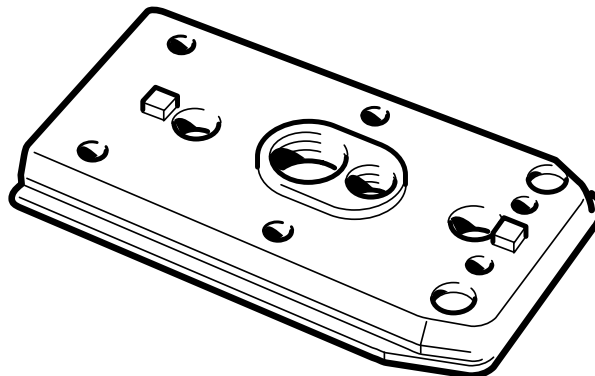
The new type tripod foot has recently been introduced in the 903SWC camera.  
Due to this a few other parts have been changed.

The new parts are:	22821	Intermediate foot	
	30735	Tripod foot	
	829790	Screw	(2 pcs, front)
	829760	Screw	(2 pcs, rear)

Discontinued parts: (Still available)	22566	Intermediate foot	
	22584	Tripod socket 1/4"	(22667, 3/8")
	103349	Slide	
	823735	Screw	(8 pcs)

Note! The new parts are fully compatible with existing camera shells.

Please change in the Service Manual 903SWC accordingly.





# S E R V I C E I N F O

6/97

## Hasselblad 553ELX

New tripod foot!

The new type tripod foot has recently been introduced in the 553ELX camera. Due to this a few other parts have been changed.

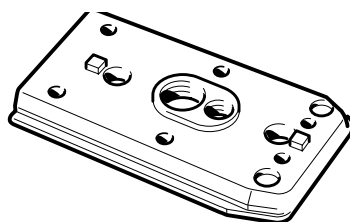
The new parts are:	30763	Tripod foot		
	829790	Screw	(6 pcs)	
	30778	Rubber support		
	22846	Tape	(for support)	
	30787	Motor housing		

22844	Leather
22845	Leather

Discontinued parts: (Still available)	103349	Slide		
	22584	Tripod socket 1/4"	(22667, 3/8")	
	823745	Screw	(4 pcs)	
	823770	Screw	(4 pcs)	
	30740	Motor housing		

22651	Leather
13598	Foot, 4 pcs
13599	Cap, 4 pcs
820012	Screw, 4 pcs

Please change in the Service Manual 553ELX accordingly.



# S E R V I C E I N F O

7/97

## Hasselblad Automatic Bellows Extension

New tripod foot!

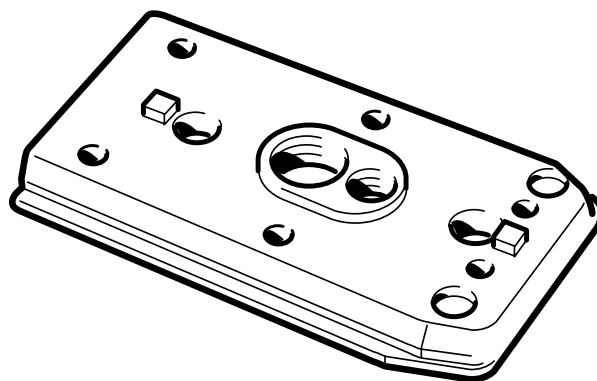
The new type tripod foot has recently been introduced in the Automatic Bellows Extension.

Due to this a few other parts have been changed.

The new parts are:	407353	Intermediate foot	
	30735	Tripod foot	
	829790	Screw	(4 pcs)

Discontinued parts: (Still available)	407340	Intermediate foot	
	103349	Slide	
	823755	Screw	(4 pcs)

Please change in the Service Manual Accessories II accordingly.



# S E R V I C E I N F O

8/97

## Hasselblad prism viewfinder PM5 and PME51

The product marking "PM5/PME51" painted on top of the viewfinder shell has been removed.

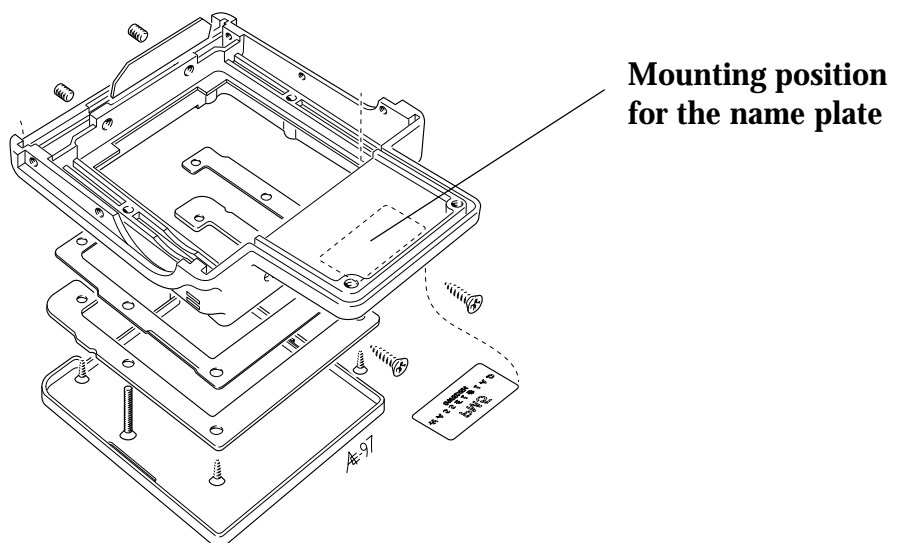
Since some time ago a name plate is being used instead. This name plate should be mounted on the prism frame according to the sketch below.

Due to this some part numbers have been changed.

The new parts are:	414330	Shell	(PM5)
	414566	Name plate	"
	414322	Shell	(PME51)
	414567	Name plate	"

Discontinued parts:	414518	Shell	(PM5)
	414556	Shell	(PME51)

Updated pages for the Service Manual Accessories III are enclosed.  
Please change accordingly.



# S E R V I C E I N F O

9/97

## Hasselblad prism viewfinder PM5 and PME51

Since the beginning of this year the prism frame has been modified to accommodate the same type of engraved frame which is used in the PM90 and PME90.

The modification was introduced in our production from serial No.

PM5 401EU1001                      and                      PME51 402EU1001.

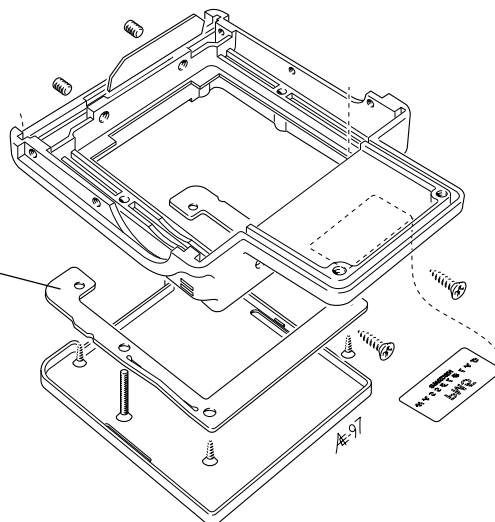
Due to this some spare part numbers have been changed.

The new parts are:	414800	Prism frame
	414387	Engraved frame

Discontinued parts:	414362	Prism frame
(Still available)	414361	Shim
	414360	Engraved frame

Updated pages for the Service Manual Accessories III are enclosed.  
Please change accordingly.

The new type  
engraved frame  
without shim



# S E R V I C E I N F O

10/97

## Film magazines A16 and E16

**New Picture frame!**

In order to avoid light leakage in between each frame in above magazines the picture frame 22 712 has been modified.

The old picture frame with spot welded (fixed) light seals is discontinued and replaced by a new type light seals held by tape.

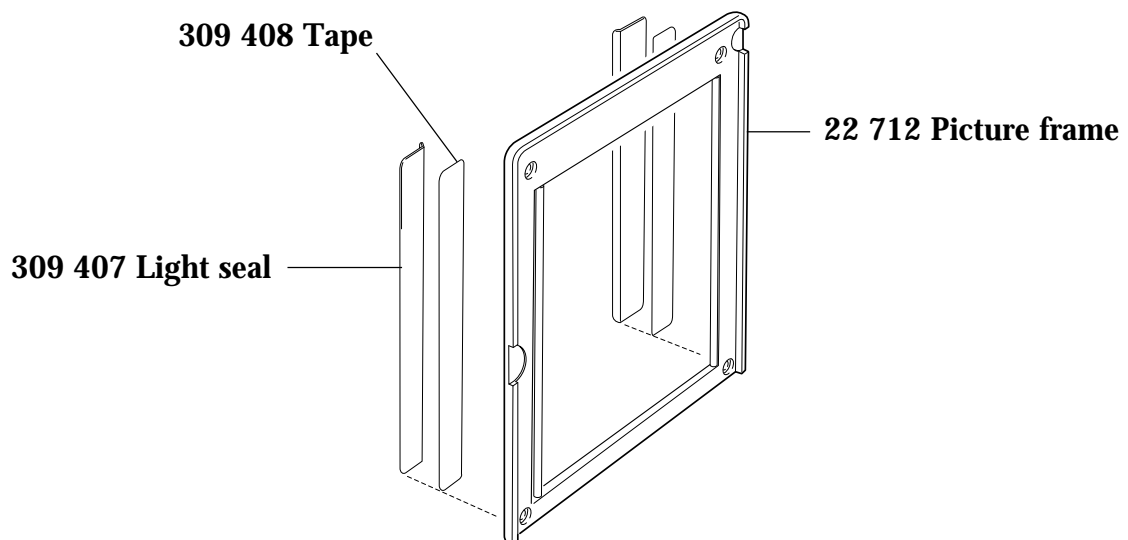
**Modified part keeping**

the existing number: 22 712 Picture frame A16/E16 (without light seals)

The new parts: 309 407 Light seal (2 pcs)  
309 408 Tape (2 pcs)

**Please Note!** Mount tape and light seal after the picture frame has been mounted to the magazine support.

Mounting position: Magazine support and light seal edge to edge.



# S E R V I C E I N F O

11/97

## Film magazines A16 and E16

New spacing gear!

In order to improve the spacing in above magazines the spacing gear has been redesigned (increased diameter). Due to this the magazine support has been modified (see enclosed sketch) and the two springs 814 507 have been changed (slightly shorter).

The modification was introduced in our production from magazine serial No. 31ET10601 (A16) and magazine No. 37ET10301 (E16).

Modified parts keeping  
the existing number:

30 751	Magazine support A16
309 344	Magazine support E16

The new parts

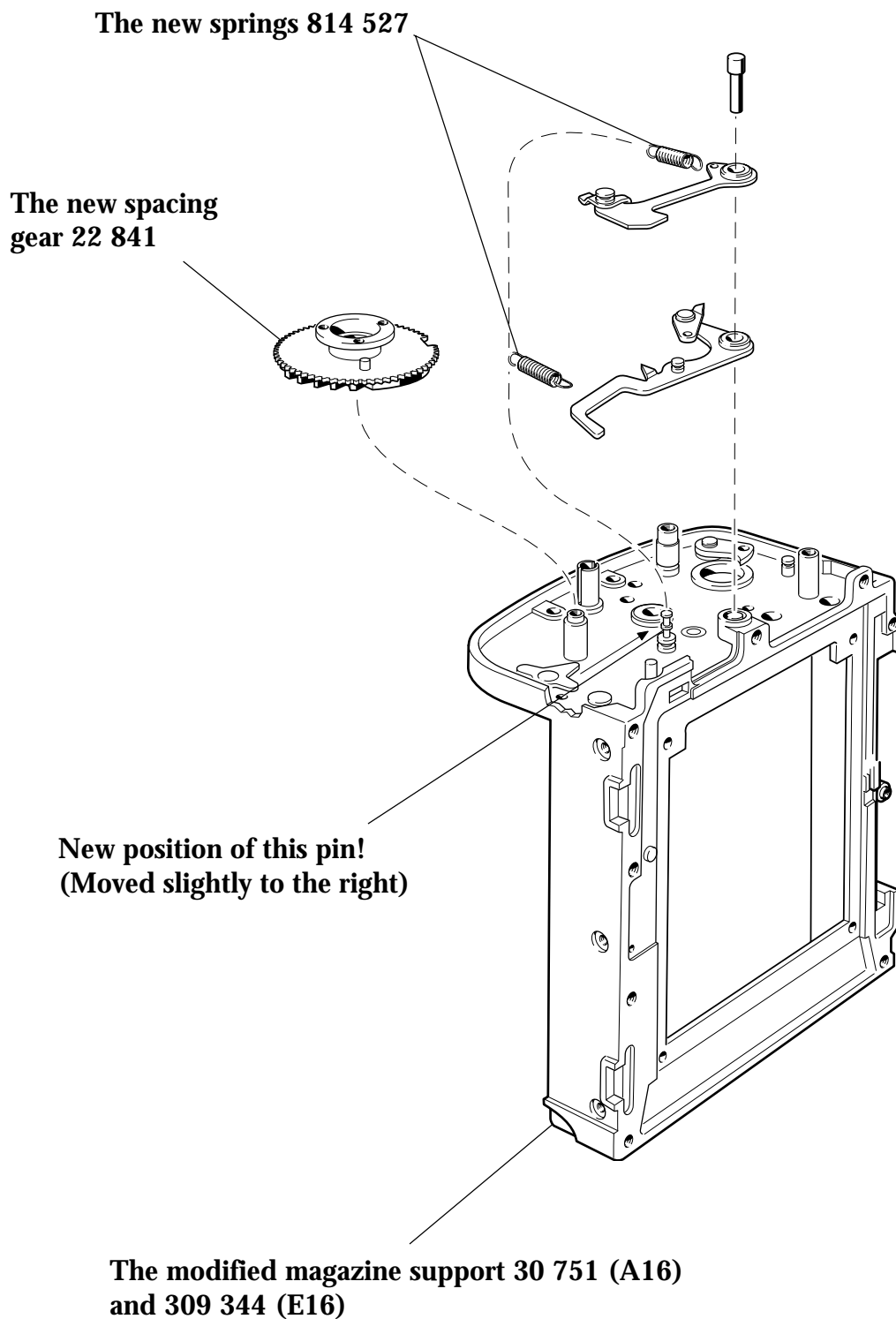
22 841	Spacing gear
814 527	Spring (2 pcs)

Discontinued parts:  
(Still available)

21 583	Spacing gear
814 507	Spring (2 pcs)

Please note! Whenever the magazine support needs to be replaced in magazines below the serial numbers mentioned above, the new springs 814 527 must be changed, and we recommend you to mount the new spacing gear 22 841.

Page 2. Sketch



# S E R V I C E I N F O

12/97

## Film magazines A12/24, E12/24 and E12CC

### Modified magazine support!

In order to simplify the production of film magazines the support of above magazines have been modified in the same way as the A16/E16.

Due to the new position of pin (see sketch below) the two springs 814 507 have been changed (slightly shorter).

The modification was introduced in our production from magazine serial No. 30ET14879 (A12).

### Modified parts keeping the existing number:

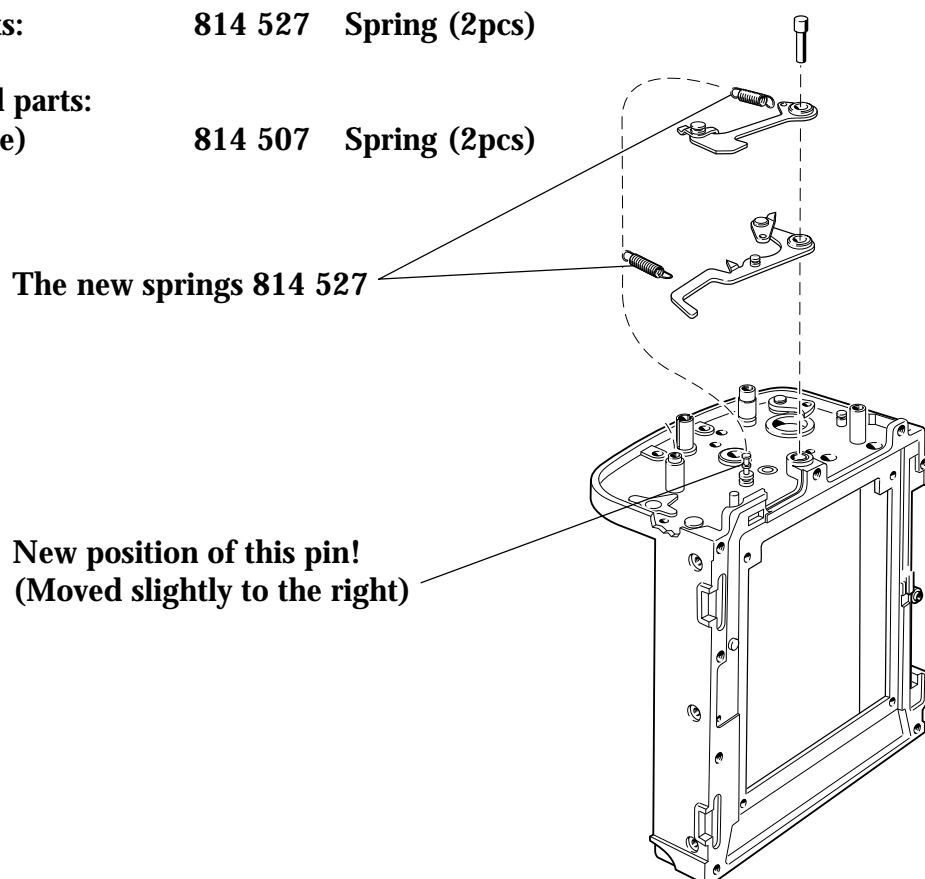
30 752	Magazine support A12/A24
308 364	Magazine support E12/E24/E12CC

### The new parts:

814 527	Spring (2pcs)
---------	---------------

### Discontinued parts: (Still available)

814 507	Spring (2pcs)
---------	---------------





# S E R V I C E I N F O

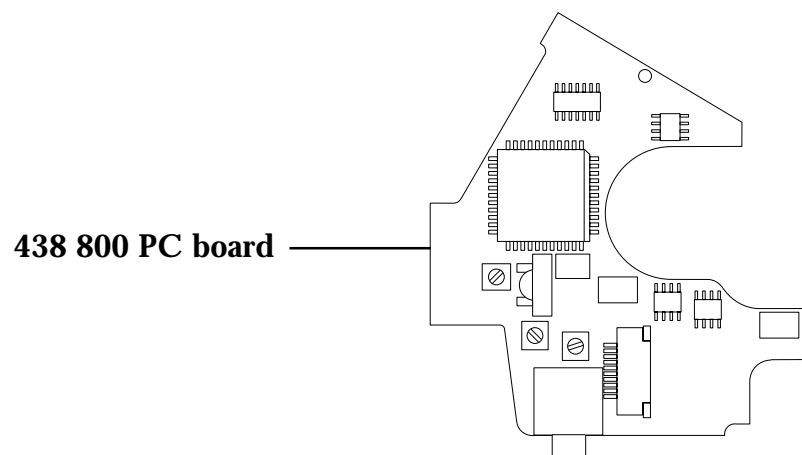
13/97

## Hasselblad Winder CW

Spare part No. changed according to the following:

PC board. Spare part No. changed from 438 022 to 438 800.

An updated page for the Service Manual Accessories III is enclosed.



# S E R V I C E I N F O

14/97

## Hasselblad 501CM

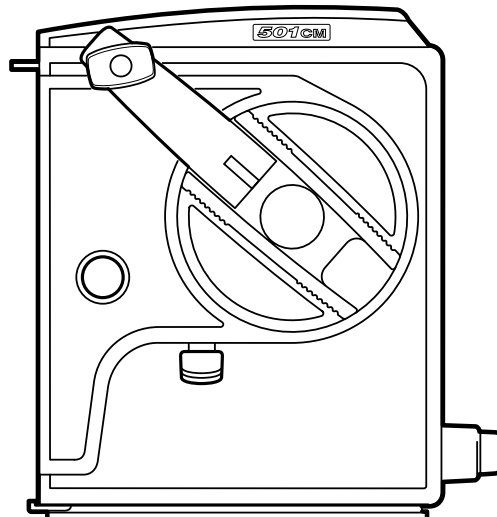
Recently the new camera body 501CM was introduced.

It has the new type of mirror system (GMS) and the new modified winding crank which is permanently attached to the camera body.

It is only available in chrome finish and it comes without TTL.

As far as spare parts goes, they are basically the same as for the 503CW with a few exceptions.

Enclosed you will find exploded views and specifications which should be filed in the existing Service Manual 503CW according to the new contents list.



# S E R V I C E I N F O

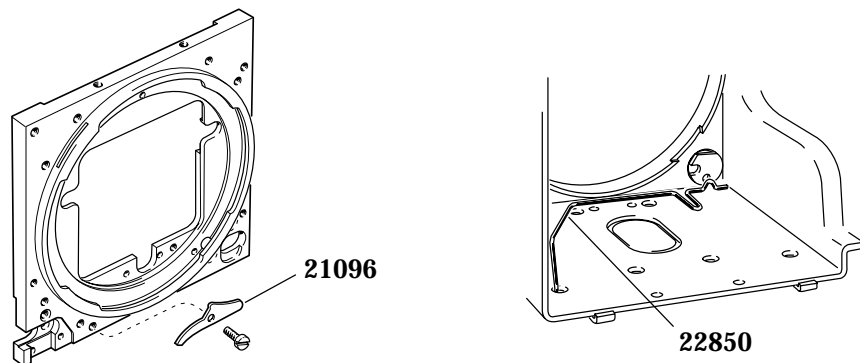
15/97

## Hasselblad 501C & 503CW

### Modifications!

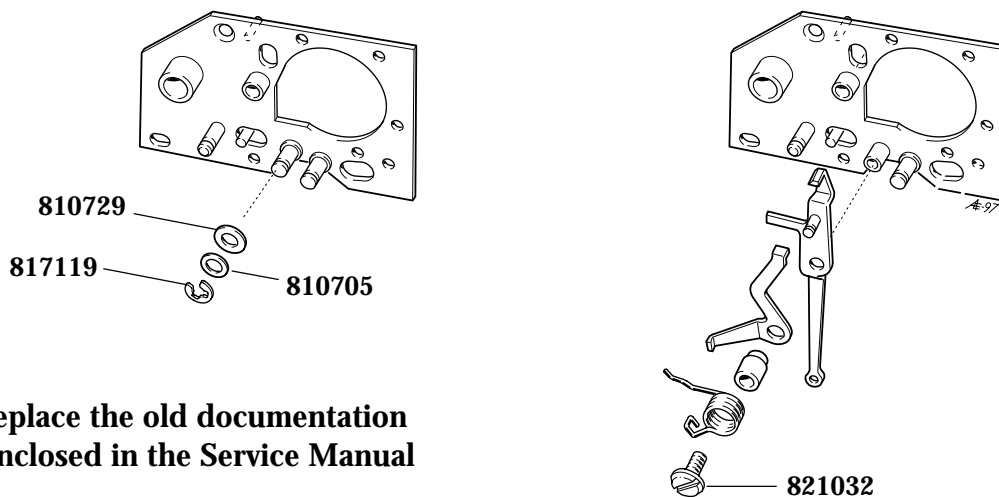
The plate spring (p/n 21096) for the release button is replaced by a new type of spring (p/n 22850) which is mounted in the camera shell.

Introduced in the production from camera serial No. 19EU11261 503CW  
17EU10976 501C



The screw (821032) holding the spring for the pre-release lever is replaced by a clip (817119) and two washers.

Introduced in the production from camera serial No. 19ET10850 503CW  
17ET12600 501C



Please replace the old documentation by the enclosed in the Service Manual 503CW.

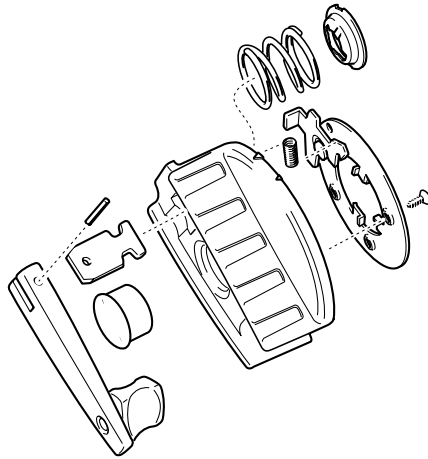
# S E R V I C E I N F O

16/97

## New winding crank

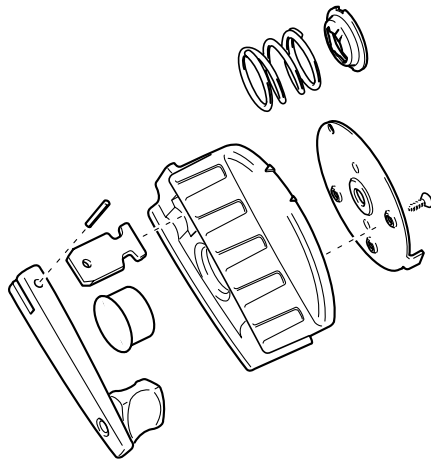
The winding crank has recently been modified. The detachable version with sales code No. 44083 is used for the camera models 201F, 203FE, 205FCC and 503CW. It can also be used for the previous models 205TCC and 503CXi.

It was introduced in the production from camera serial No. 16ET10334 201F  
18ET10992 203FE  
15EU10053 205FCC  
19EU11514 503CW



The permanently attached version is used for the camera models 501C and the new 501CM.

It was introduced in the production from camera serial No. 17EU10379 501C  
all cameras 501CM



Service Instructions to be found  
in the enclosures.

# S E R V I C E I N F O

17/97

## New Service Manuals!

A new updated Service Manual for the film magazines has been produced.

It contains service instruction for the A and E-type magazines, the so called E CC magazine, the 70 mm magazine and the Polaroid magazines.

The previous TCC magazines are also included.

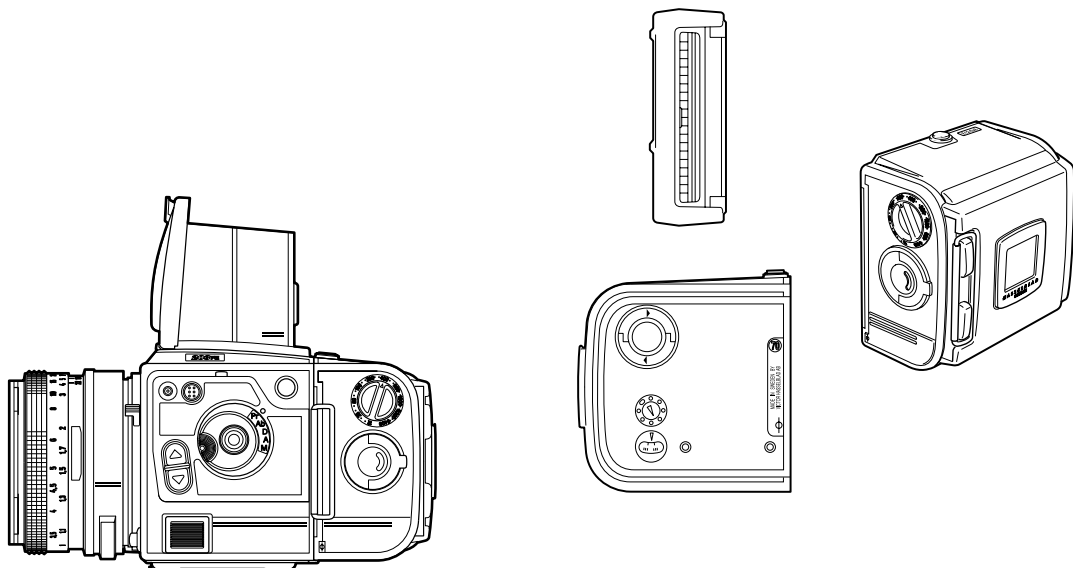
The Service Manual for the 203FE and the 205FCC has been updated.

It contains the latest modifications like the new light protectors in the mirror box.

The previous model 205TCC is also included.

One copy of each will be distributed automatically free of charge.

Additional copies to be ordered as usual.



# S E R V I C E I N F O

18/97

## Hasselblad Winder CW

Due to frequent incoming complaints lately regarding the combination camera body 503CW and Winder CW we would like to clarify the built in safety features of the winder. We suspect they are not fully understood by the photographers (and the service technicians).

Therefore, the following text will be included as an enclosure together with all winders shipped as from August 19th.

" The Hasselblad Winder CW has been designed to include an advanced sensing capability which ensures the mechanical safeguarding of attached equipment. This capability quite correctly comes into effect if it senses a potential problem and results in what could appear to be a fault. However, in most cases, it is only reacting to a slight and normally temporary mechanical incompatibility.

This valuable protection facility causes either a change in speed of the winder action, an erratic action or a locked action.

Check below to see which steps to take should any of these situations arise.

Occasionally the winder may react slowly or react slowly and then recover. This behaviour is to be expected and is quite normal in the following situations:

- The winder is not attached to a camera.
- The camera was unwound when the winder was attached.
- The batteries are nearly exhausted.

The Winder CW is equipped with a battery test function (not accessible) which automatically comes into operation before each exposure cycle. If the condition of the batteries is poor, then this is indicated by a noticeably slower winding speed. However, in certain conditions and particularly with longer periods between exposures, batteries although in poor condition can recover to the extent that they cause the winder to react at normal speed again temporarily, thereby causing an inconsistent winding speed. Please ensure that the batteries are always in good condition.

In certain cases, the Winder CW may fail to wind the camera completely or even not at all, resulting in a locked condition where neither the winder nor the lens can be removed. The situation is simply corrected by depressing and immediately releasing the winder detaching lever. This will reset the mechanism which will then slowly wind the camera to return to the normal condition.

Occurrences such as a winding overload in the magazine or something falling between the release arm and the camera, for example, will cause erratic behaviour. If this happens, the winder stops automatically and after a delay of 1.5 seconds, reattempts to slowly wind the camera. Check the condition of the magazine or camera for obvious problems. Frequent occurrence of this error without any obvious cause indicates that either the camera, magazine or winder is in need of service.

Remember: The winder also acts as an automatic system analyser. Repeated occurrences of the above may indicate a more lasting problem though not necessarily with the winder."

In addition to the above we would also like to emphasize the importance of smooth operation of the camera body release button. Please check this carefully on incoming cameras.

To even more improve the reliability of the Winder CW, we will shortly introduce a modification to the release mechanism.

The sleeve, mounted on the release arm, will be redesigned in order to strike on the camera release button in a more favourable way.

A more detailed explanation of this the modification, together with updated documentation for the service manual, will be distributed shortly.

# S E R V I C E I N F O

19/97

## Film magazines series A12, A16 and A24

The shaft in the gear assembly, and the mechanism plate have been modified (same as in the film magazines series E and E CC).

The modification has been made to:

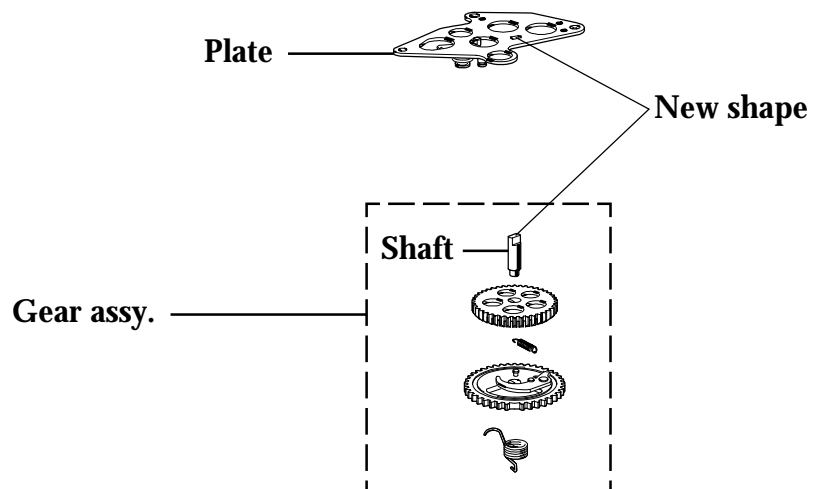
A12 magazines from serial No. 30EU15001  
A16 magazines from serial No. 31ET10901  
A24 magazines from serial No. 32EU11181

New parts:

308 109	Gear assy. A12
309 103	Gear assy. A16/A16S
311 101	Gear assy. A24
308 426	Shaft
308 485	Plate

Parts no longer available:

13 805	Plate
12 781	Shaft
13 064	Gear assy. A12
13 073	Gear assy. A16/A16S
14 095	Gear assy. A24





# S E R V I C E I N F O

20/97

## Hasselblad 903SWC

The shell has recently been modified. The window for the signal has been removed and the leather 22 588 has been changed. Due to this the spare part numbers for the old shell (with window) have been changed according to the following:

Discontinued parts with new number (still available):

40 356-1 Shell, complete (chrome)  
40 357-1 Shell, complete (black)

Discontinued part:  
(still available)

22 588 Leather

Modified parts keeping  
the existing number:

40 356 Shell, complete (chrome)  
40 357 Shell, complete (black)

New part:

22 855 Leather

Note! The mechanism plate with its signal 20 737 is unchanged.

Please change in the Service Manual 903SWC accordingly.

# S E R V I C E I N F O

21/97

## Hasselblad FlexBody

In order to improve the reliability a number of modifications have been made in above mentioned camera from serial No. 451EU1308. Due to this the following changes have been made in the Service Manual Accessories III:

Page 13:1: New parts:           109 347 Adjusting screw  
  109 453 Leather  
  825 704 Screw

Discontinued parts: 109 346 Adjusting screw, complete  
(Still available)    13 456 Level

Part no longer  
available:            109 404 Locking screw (replaced by 109 101)

Page 13:2: New parts:           22 807 Stray light mask  
  109 424 Spring

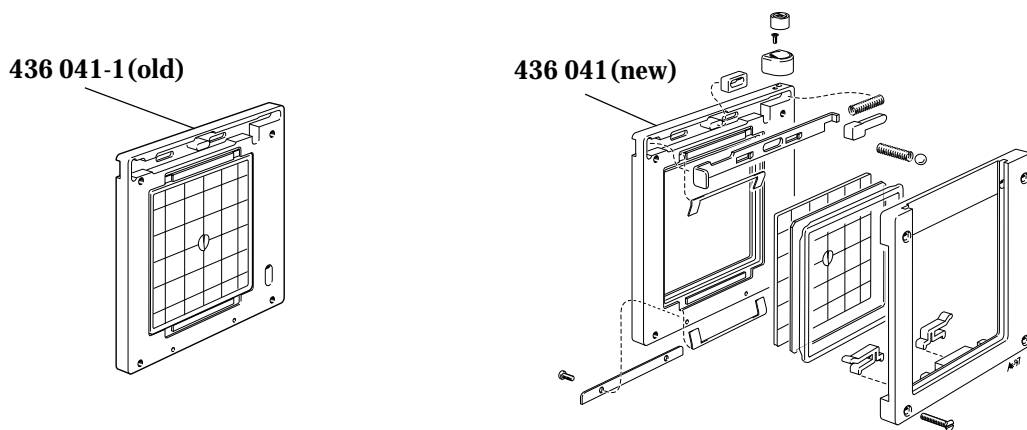
Please replace the old documentation by the enclosed in the Service Manual.

# S E R V I C E I N F O

22/97

## Focusing screen adapter FlexBody

The frame (436041) has been modified. The spirit level (436412) is mounted on the frame, held by the holder (436102) and the screw (829435). The focusing screen (413323), glass (413415) and frame (413416) are held by the two holders (109368). Due to this the spare part number for the old frame (with fixed focusing screen) has been changed to No. 436041-1.



The following changes have been made in the Service Manual Accessories III:

Page 13:4: New parts:

436 412 Level  
436 102 Holder  
436 404 Support  
109 368 Holder (2pcs)  
413 323 Focusing screen  
413 415 Glass  
413 416 Frame

Modified part keeping  
the existing number:

436 041 Frame

Discontinued part:  
(still available)

436 041-1 Frame, incl. focusing screen

Please replace the old documentation by the enclosed in the Service Manual.

# S E R V I C E I N F O

23/97

## Tripod quick-coupling S

In order to simplify the production the screw holding the cover and the pin holding the handle have been changed according to the following:

New parts:	812 604	Pin
	825 905	Screw (2.5mm)
Modified part keeping the existing number:	406 346	Base (reduced dia. for the new screw 825 905)
Discontinued part: (Still available)	825 904	Screw (3.0mm)
Part no longer available:	812 603	Pin

An updated page for the Service Manual III is enclosed.

# S E R V I C E I N F O

24/97

## Film magazine A32

Recently the magazine A32 was released. Please find enclosed specifications and exploded views.

The following material should be filed in the Service Manual Magazines:

- Updated pages:
- Contents list
  - Page 10: Spoolholder A16, A32
- New pages:
- Page 26: Support and mechanism A32
  - Page 27: Shell and cover A32

# S E R V I C E I N F O

25/97

## **Magazine PolaPlus/PolaBasic**

**Spare part No. changed according to the following:**

**Outer plate for the magazine PolaPlus. Spare part No. changed from 303 321 to 302 322.**

**When ordering an outer plate for one of the above mentioned magazines, please state both serial number and "to be used for PolaPlus" or "to be used for PolaBasic".**

**Updated pages for the Service Manual Magazines are enclosed.  
Please change accordingly.**

# S E R V I C E I N F O

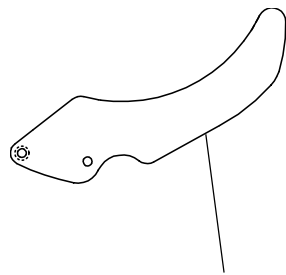
26/97

## Distagon FE50, Planar FE110 and Sonnar FE150

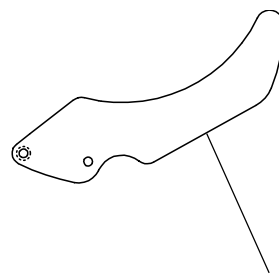
In order to improve the reliability of the diaphragm function of the above lenses the aperture blades have been modified. Part No. 109950 0534 000.

The shape of the blades are different and the mounting sequence has been altered to clockwise instead of counter clockwise. See the sketch below.

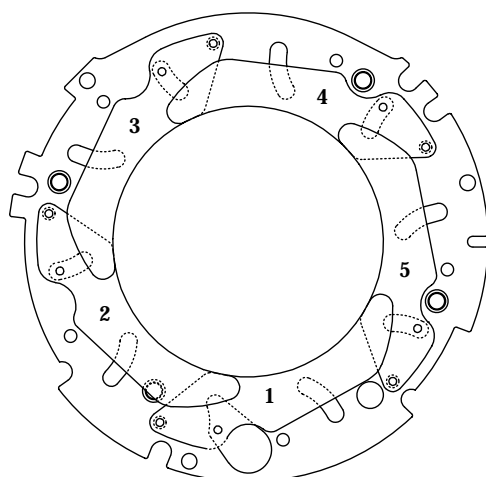
**Note!** The old type blades must still be mounted in a counter clockwise sequence according to page 927-11 in the Service Manual FE Lenses.



Old type blade  
with curved back



New type blade  
with straight back



Mounting sequence  
of aperture blades  
with straight back

Encl. Page 927-11a to be filed in the Service Manual FE Lenses.

# S E R V I C E I N F O

27/97

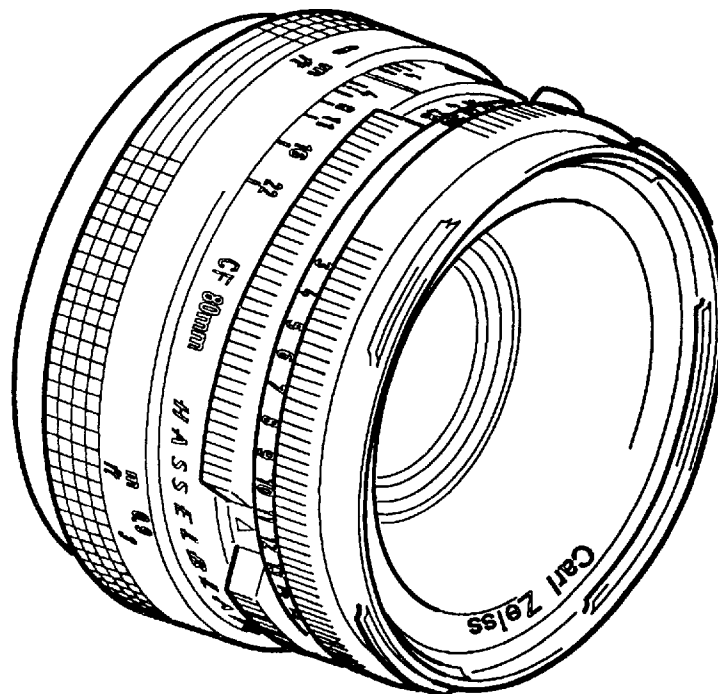
## Planar CF80

Since some time ago the rear lens element of the Planar CF80 has been modified. The lens diameter has been increased from 32.5 mm to 33.2 mm.

The new element (33.2) has the spare part No. 102076 0107 000 and the previous element (32.5) the part No. 102076 0007 000.

The part No. of the rear group remains the same, 102165 8006 000.

Please change in the Service Manual CF accordingly.





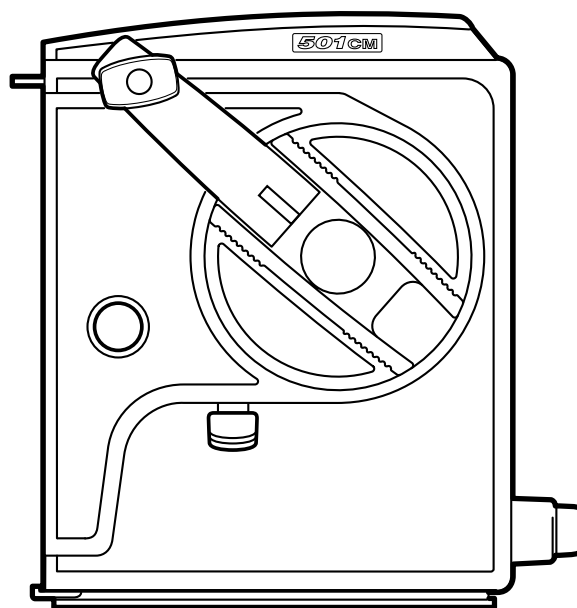
# S E R V I C E I N F O

28/97

## Hasselblad 501CM

The camera body 501CM is from now on also available in black finish and consequently the 501C is no longer in production.

Please replace page 19:1 in the Service Manual by the enclosed.



Encl. Specification Page 19:1, revision 1.

**H A S S E L B L A D**

Page 1 (1)

# S E R V I C E I N F O

29/97

## New lenses!

The CB lens line is a new range of high-quality lenses from Carl Zeiss. It comprises three lenses of similar cosmetic and technical design.

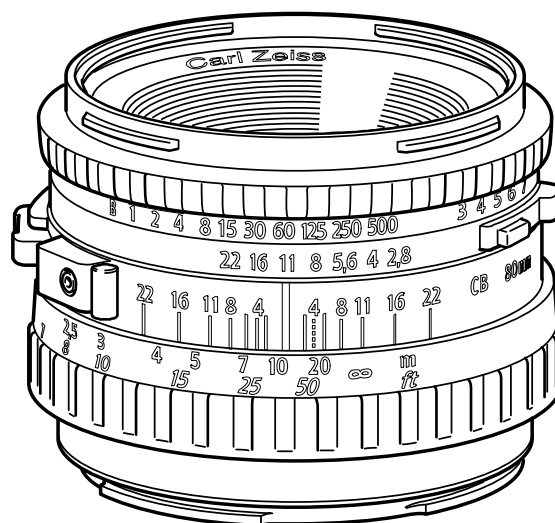
They are: Planar CB 2.8/80, Distagon CB 3.5/60 and Tessar CB 4.8/160.

Tools, spare parts and Service Manual for the above mentioned lenses will be available shortly.

There is also a new high performance telephoto lens from Carl Zeiss.  
The Tele-Superachromat CFE 5.6/350 mm.

This lens requires MTF equipment after repair.

Planar CB 2.8/80 mm



# S E R V I C E I N F O

30/97

## New camera - Hasselblad ArcBody

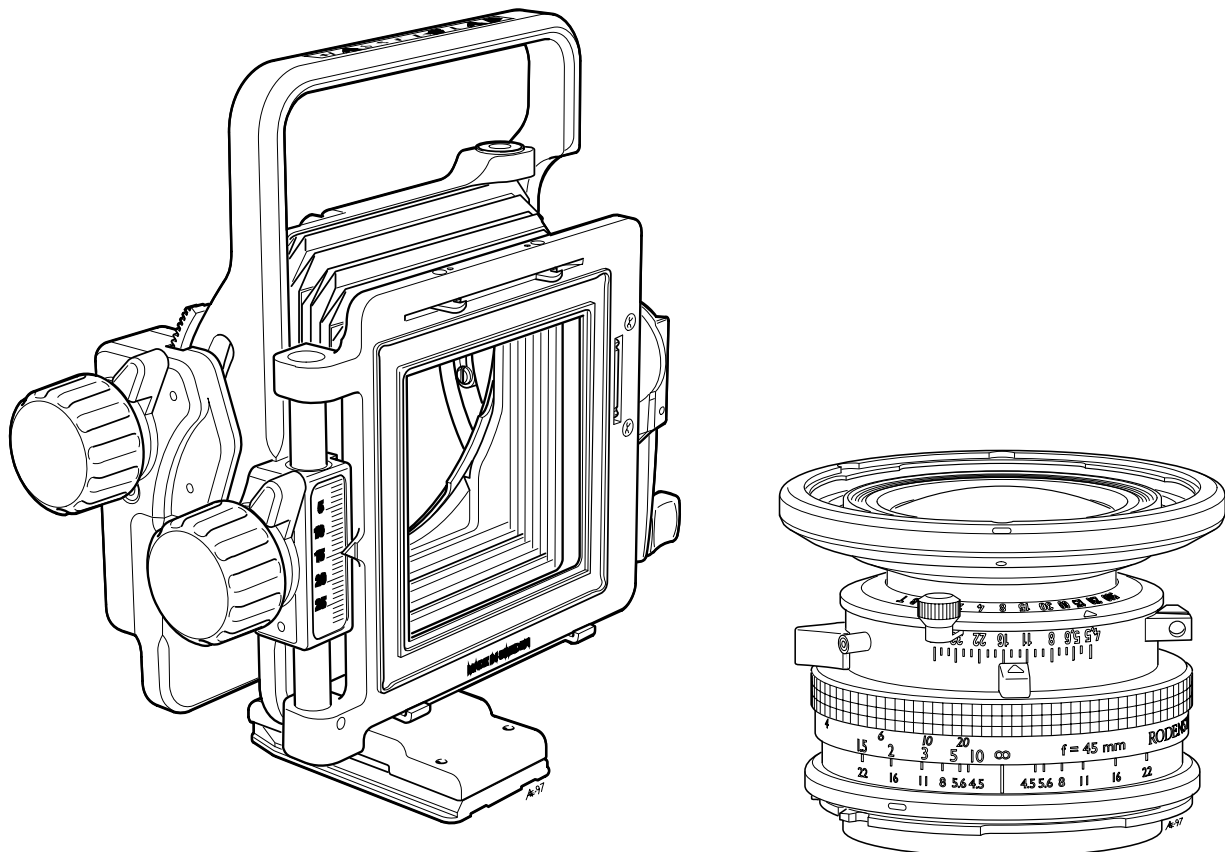
The Hasselblad ArcBody is a new camera featuring an innovative concept that combines generous shift and tilt capabilities with a compact design.

There are three interchangeable lenses available. They are exclusively designed for the ArcBody and made by Rodenstock, Germany.

The Apo-Grandagon 4.5/35 mm, Apo-Grandagon 4.5/45 mm and Grandagon-N 4.5/75 mm.

The lenses have a built-in central shutter (all mechanical) from Copal, Japan.

The necessary spare parts, tools and Service Manual are under production and will be available in due course.



# S E R V I C E I N F O

31/97

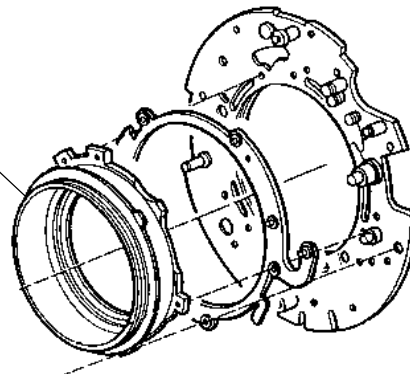
## CF lenses

The mounting tube (109950 0360 000) used in CF lenses (shutters) with the old type of gear train is no longer available from our spare part stock.

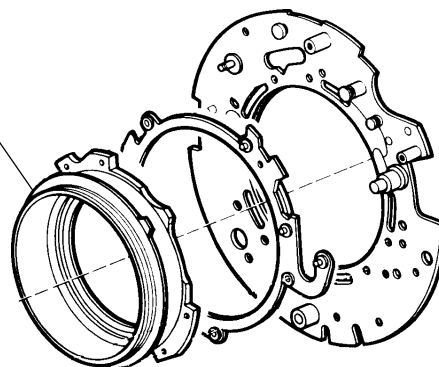
However, the present type of mounting tube (109950 0704 000) is compatible backwards and should be used instead.

Please make the necessary changes in the Service Manual CF lenses.

Mounting tube, 109950 0704 000



Mounting tube, 109950 0360 000  
(Discontinued)



# S E R V I C E I N F O

32/97

## Hasselblad Winder CW

To even more improve the reliability of the Winder CW, the sleeve, mounted on the release arm has been modified. (Also see Service Info 18/97).

The new sleeve strikes on the camera release button in a more favourable way. The spare part No. 438437 remains the same.

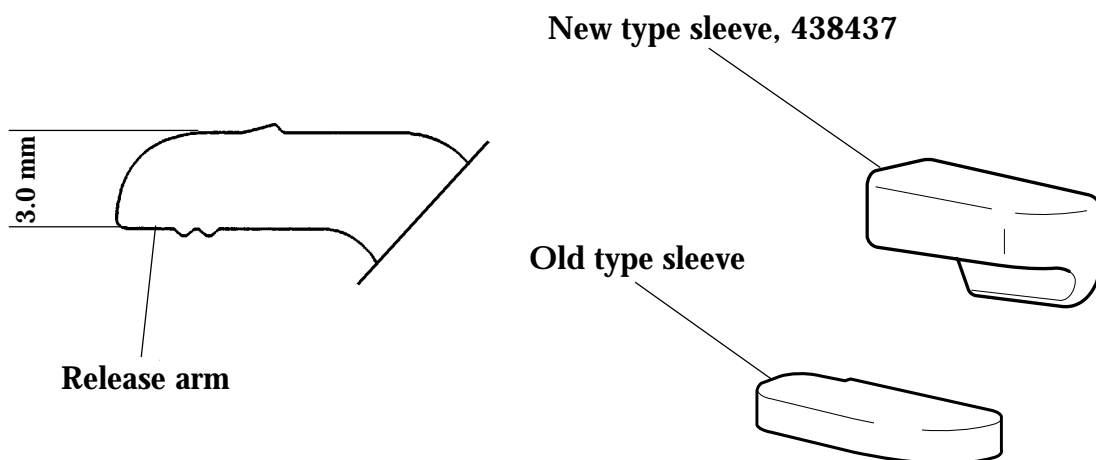
As a preventive measure, we would like you to change to the new sleeve in all winders coming in for repair and also check possible stock of winders and correct if necessary. Disassembly of the winder is not necessary since the sleeve is reached from outside. We regret the inconvenience that might be caused.

This modification has been introduced in our production from winder serial No. 432EU3439.

### Note!

The first batch of winders had a different type of release arm. The width of the arm was 3.5 mm compared to 3 mm of the arms of today. Due to this, the new type of sleeve can not be mounted in those winders unless the complete release unit (part No. 438042) is replaced.

The width of the arm should be measured according to the sketch below.



Encl. A few pieces of the new sleeve are enclosed. Additional to be ordered as usual.

# S E R V I C E I N F O

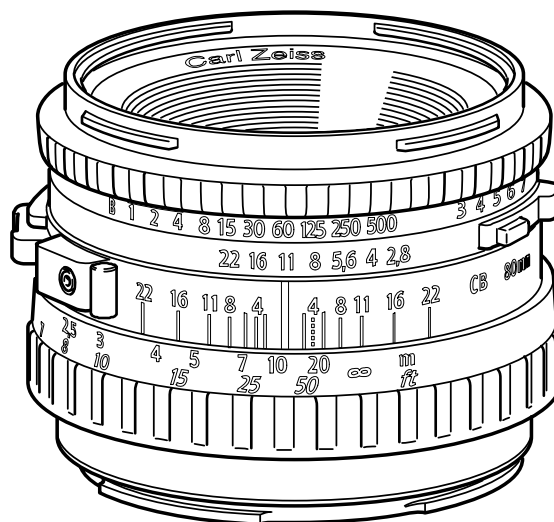
33/97

## CB Lenses

Please find enclosed preliminary exploded views and specifications for the Planar CB 2.8/80 mm lens.

Wrenches for removing the lens elements will be available shortly.

### Planar CB 2.8/80 mm



Encl. Preliminary Spare part catalogue CB 2.8/80

**H A S S E L B L A D**

Page 1 (1)

# S E R V I C E I N F O

34/97

## Spare parts price list

Please be informed that a new price list for spare parts will be in effect as from January 1st, 1998. The changes are mainly caused by the rates of exchange in currencies, to which we have had to adapt.

Please let us know whether you want a print out or a diskette 3,5.

# S E R V I C E I N F O

1/98

## Spare parts orders

Please be informed and reminded of the quantity rebates we give on volume orders.

The difference now is that the possible rebate applied is calculated on each line (item), instead of being deducted as a lump sum before invoice total.

The rebates remain as before:

- a) Order value SEK (or equivalent) over 50.000 = 5%  
100.000 = 10%  
150.000 = 15%

alternatively

- b) Number of lines (items) over 50 = 5%  
100 = 10%  
150 = 15%

whichever of the two conditions a) or b) is fulfilled.

**Reduce costs - plan and look after your supply.  
Order sufficient quantities to benefit from above!**



# S E R V I C E I N F O

2/98

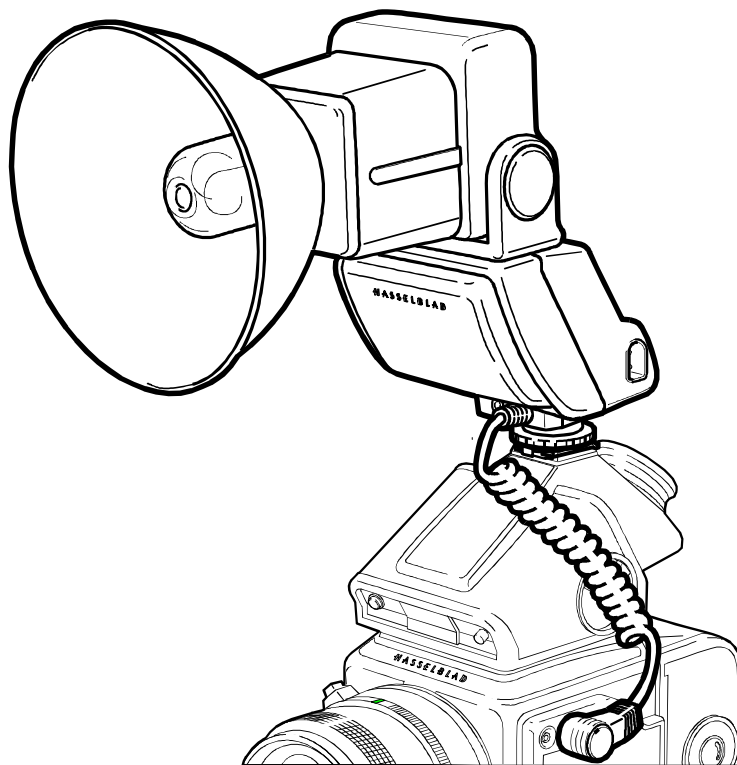
## Hasselblad D-Flash 40

Spare parts and service documentation is now available for the Hasselblad D-Flash 40.

Please find enclosed the following:

- Trouble shooting guide, page 20:1, 20:2 and 20:3
- Specifications, page 20:4 and 20:5
- Exploded views, page 20:4 and 20:5

The above mentioned should be filed in the Service Manual Accessories III.



# S E R V I C E I N F O

3/98

## Modified pages for various Service Manuals

Service Manual 203FE/205FCC/205TCC: Page 3:1, Checks & Adjustments.

The tool number of the test shell, mentioned in the text at point 7:1, should have been 905002 instead of 904015.

The new page is marked "Revision 1/February 1998".

Service Manual 503CW: Page 4:2, Reassembly.

The reassemble sequence of the mechanism plate was not correctly described.

The new page is marked "Revision 1/February 1998".

Service Manual Accessories III - (Winder CW): Page 19:2, Specifications.

The position numbers 15 and 20 were mixed up.

The new page is marked "Revision 3/February 1998".

Please replace the above mentioned pages in the corresponding service manuals.

# S E R V I C E I N F O

4/98

## Hasselblad IR Remote Control

In order to improve the release function of the IR Remote Control, the exposure button mechanism has been modified.

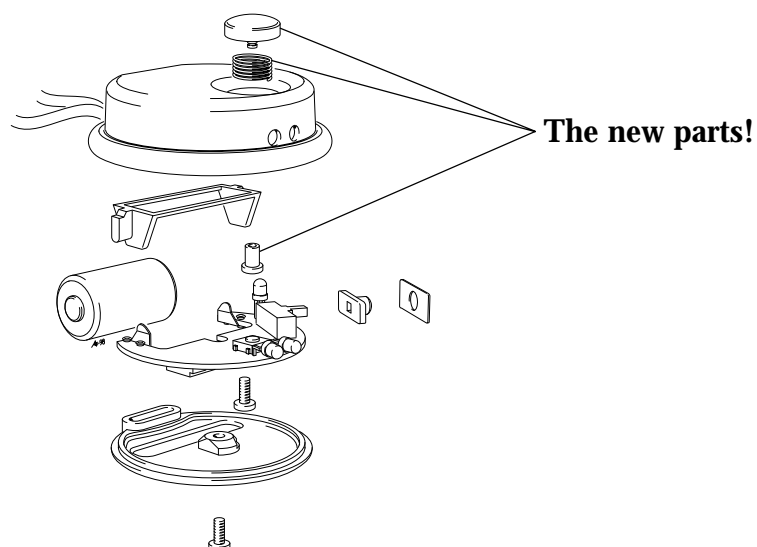
The modified mechanism contains three parts which are listed below together with new spare part numbers.

It is fully compatible backwards with the exception of that all three parts must be replaced together.

The previous parts are discontinued and no longer available.

Modified parts:	438 445	Exposure button
	438 442	Stop pin
	815 812	Spring

Discontinued parts: (no longer available)	438 411	Exposure button
	438 410	Bushing
	815 810	Spring



Updated pages for the Service Manual Accessories III are enclosed.

**H A S S E L B L A D**

Page 1 (1)

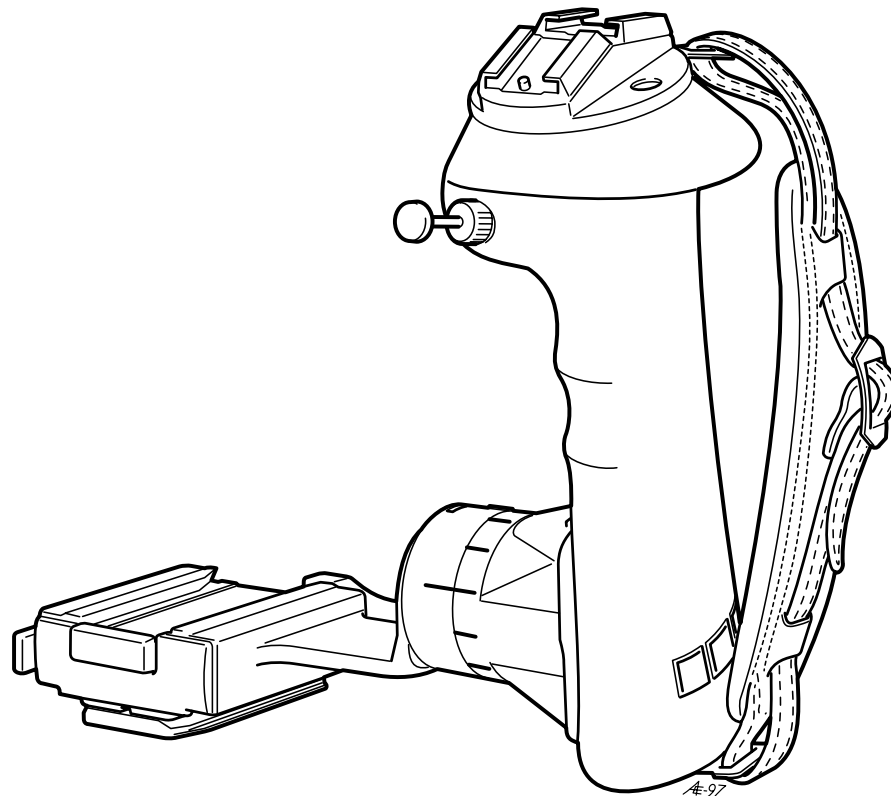
# S E R V I C E I N F O

5/98

## Snap-lock flash grip

Please find enclosed the exploded views and specifications for the new Snap-lock flash grip.

Also enclosed is an updated contents list and a new register 1 - 30 for the Service Manual Accessories III.



# S E R V I C E I N F O

6/98

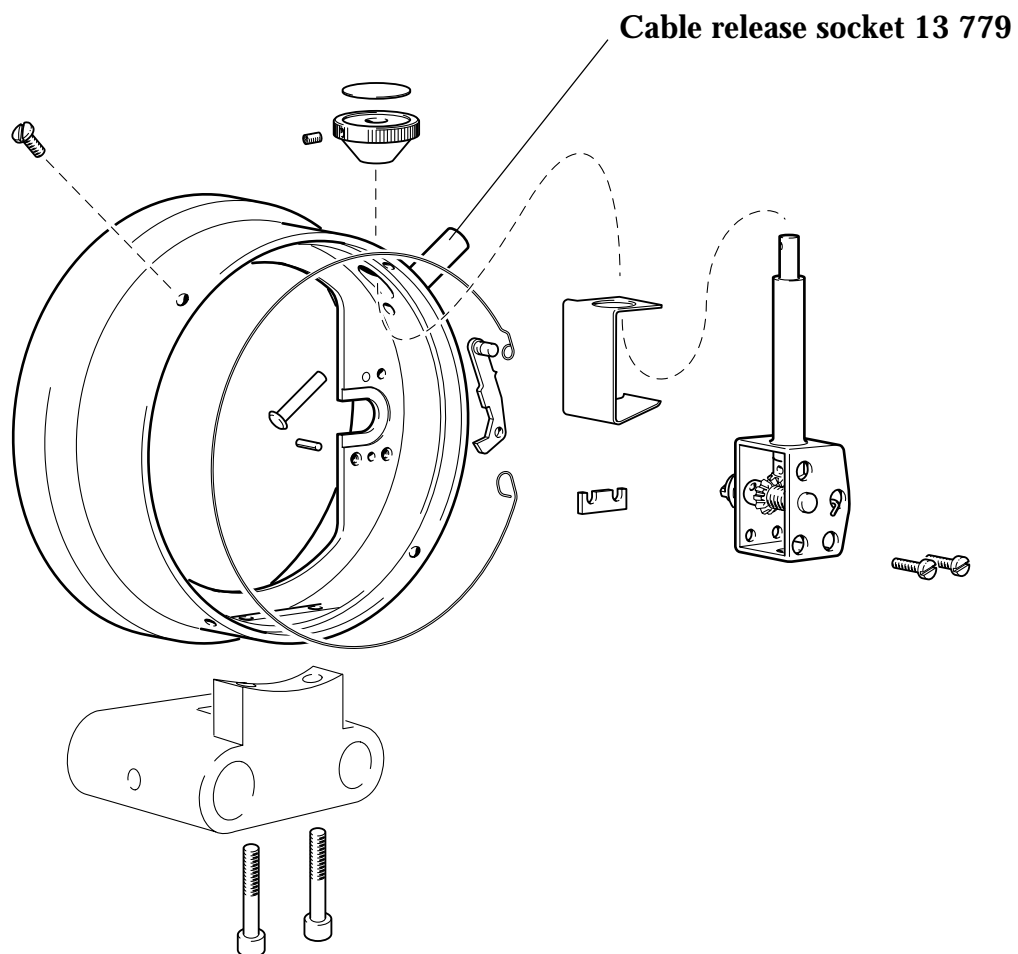
## Hasselblad FlexBody

The lens holder 109 021 has been modified. The cable release socket 13 779 is now screwed in to the lens holder and secured with Loctite 638.

Note! The new version replaces the former riveted socket.

The modification was introduced in our production from camera serial No. 451ER1001.

Updated pages for the Service Manual Accessories III are enclosed.



# S E R V I C E I N F O

7/98

## CB Lenses

Please find enclosed preliminary exploded views and specifications for the Tessar CB 4.8/160 mm lens.

New tools for CB80 and CB160 mm!

In order to remove the front and rear element group two new wrenches have been made.

The tool numbers are the following:

102212 8105 901 (Front group)  
102212 8106 901 (Rear group)

Note! The engraved ring is removed with the existing tool 102165 0000 901.



Please place your order as soon as possible.

# S E R V I C E I N F O

8/98

## Tele-Apotessar CF500

In one of our regular quality control revisions we have discovered one of the above mentioned lenses with the front lens element reversed mounted. This has of course a negative influence on the field image quality.

Since Carl Zeiss can not provide us with serial numbers of possible defective lenses, we would like you to check your new stock as well as all lenses coming in for repair as a preventive measure.

We regret the inconvenience caused.

To be able to determine if a lens is defective or not, the enclosed measuring gauge should be used.

- Apply the gauge with the curved side facing the front lens surface.
- If it is possible to tilt the gauge, the lens is ok.
- If not, simply reverse the front lens element and readjust the infinity position.

Encl. Measuring gauge 8/500.

# S E R V I C E I N F O

9/98

## Hasselblad 202FA

### Introduction of the Hasselblad 202FA!

This new model will replace the Hasselblad 201F as the basic focal plane shutter camera. The Hasselblad 202FA has a specification closer to the 203FE.

- Electronically controlled focal plane shutter with speeds from 34 min. (90 sec in Auto mode) up to 1/1000 sec and B.
- Manual settings in 1/2 stop increments and flash sync up to 1/90 sec.
- Selective TTL exposure metering measuring approx. 20% of the image area. Metering range EV 0.5 to EV 21.5 at ISO 100.
- TTL, centre-weighted dedicated flash system with OTF metering.

The 202FA is primarily designed for the FE-lenses with digital data bus connections but is compatible also with CF lenses, using the camera shutter only.

Note: (CB-lenses should not be used).

As far as spare parts goes, they are basically the same as for the 203FE with a few exceptions.

The new spare parts are the following:

Name plate (shell)	111 453	2 pcs
Mode sign (for selector dial)	111 456	1 pc
Display flex	111 047	1 pc
Contact flex	111 057	1 pc
Main circuit board	111 103	1 pc
Front ring	111 328	1 pc
Front bayonet plate, compl.	111 023	1 pc
Spacer ring	103 853	1 pc
Bottom mech. plate, compl.	111 028	1 pc

A new produced Service Manual combining the 202FA and the 201F will be distributed automatically free of charge as well as updated software for the Hasselblad Service Test System.



# S E R V I C E I N F O

10/98

## Hasselblad ArcBody/Grandagon lenses

Please find enclosed the Service Manual with the following contents:

- Repair, page 22:1.
- Lubrication, page 22:2.
- Specifications and exploded views ArcBody, pages 22:3 - 22:6.
- Specification and exploded view Camera inverter mount, page 22:7.
- Specification and exploded view Extension tubes, page 22:8.
- Specifications and exploded views Grandagon lenses, pages 22:9- 22:10.
- Specification and exploded view Focusing screen adapter, standard, page 23.
- Updated contents list.

The above should be filed in the Service Manual Accessories III.

### New tools for the Grandagon lenses!

For separating the focusing mount and the shutter a new wrench has been made.  
The tool number is:

V 0005 077 000 13 Wrench Grandagon



In order to dismantle/reassemble the focusing mount two allen-key drivers are available. The tool numbers are:

zz76 Allen-key driver 0.9 mm

zz77 Allen-key driver 1.3 mm



Please place your order as soon as possible.

# S E R V I C E I N F O

11/98

## Teleconverter APO 1.4XE

Please find enclosed the following:

- Specification Teleconverter APO 1.4XE, page 24
- Exploded view Teleconverter APO 1.4XE page 24

The above should be filed in the Service Manual Accessories III.



# S E R V I C E I N F O

No. 12 June 1998

## Hasselblad 503CW

### New Film Speed Range!

To make it possible to use fill-in flash in combination with fast films the ISO range for the TTL flash control on the above mentioned camera has been changed from the present min. 16 - max. 1000 to min. 64 - max. 4000. This upgrade was introduced during the first part of June on cameras delivered from Victor Hasselblad from serial number 19ER18271.

Due to this the ISO plate and the PC - board have been redesigned. The new board is fixed to the inner wall with screws and an insulating double-sided tape. The previous insulating plate, 22746 has been discontinued.

Please Note: Calibration should be made at the ISO setting 400 and light value LV 12.

The new parts are fully compatible backwards which means cameras with low ISO range can be upgraded according to the following:

- Remove the insulating plate 22746
- Exchange the PC board (incl. tape) and the ISO plate

For those preferring the range min. 16 - max. 1000 this change can be made by reversing the above mentioned procedure.

The price from us for the new as well as the old PC board will be reduced to offer customers the modification at a reasonable cost. Correspondingly you are requested to have a low mark-up on these parts.

The new spare parts:	22889	PC board 503CW (incl. tape)
	22879	Double-sided tape
	40417	ISO plate
Discontinued spare parts:	22575	PC board 503CW/CXi/CX
(Still available)	40331	ISO plate
	22746	Insulating plate

Please replace the old documentation by the enclosed in the Service Manual.

# **S E R V I C E I N F O**

**No. 13 June 1998**

## **Service Manual 203FE - 205FCC - 205TCC**

**Please find enclosed revised pages for the above mentioned service manual.**

**The section "Checks and Adjustment" has been modified.  
For example, recommendations regarding adjustment procedures of the mirror and focusing screen has been added etc.**

**The pages are: Checks & Adjustments 3:1 - Revision 2  
Checks & Adjustments 3:2 - Revision 1  
Checks & Adjustments 3:3 - Revision 1**

**Please replace these pages in the service manuals.**

# S E R V I C E I N F O

No. 14 November 1998

## Service Manuals on CD-ROM

The current manuals except the lens manuals have been transferred to a CD-ROM with the intention to later on have them only digitalized this way with an updating program every six months. All related Service Infos since 1992 have also been included.

The format is Adobe Acrobat which is commonly used in the industry. To read and view the manuals the software Acrobat Reader 3.0 or later is required, installation of which for both Windows 3.1 and Windows 95 has been conveniently included on the disk.

### Required hardware:

<b>Minimum:</b>	486 processor	<b>Recommended:</b>	Pentium processor
	8 MB Ram		16 MB Ram
	CD-ROM drive		CD-ROM drive

Order the CD-ROM from the Technical Support Department!



# S E R V I C E I N F O

No. 1 January 1999

## Spare parts price list

New prices will be in effect as from February 1st, 1999. The new complete list can be ordered either as a print out or on a diskette 3,5". Currencies as before, to which also an EURO list has been added. Please indicate your preference.

Different calculations on individual parts and currency adjustments even out divergencies and limit the impact on the total list to about + 3% only.

## Spare parts orders

In accordance with our new organization the spare parts are now handled by the Technical Support Department, where Mr. Thomas Norén and Mr. Håkan Stenbäck will assist you with the possible questions you may have.

Parts order, however, should be addressed as follows:

Technical Support  
Att. Mrs. Eva Karnerfors  
Fax: 31 - 10 25 75  
e-mail: [eva.karnerfors@hasselblad.se](mailto:eva.karnerfors@hasselblad.se)

# S E R V I C E I N F O

No. 2 March 1999

## Hasselblad 501C, 503CXi, 503CX & 500C/M

### Discontinued parts!

The complete bayonet front plate 30376-3 and the bayonet front plate 40314 are no longer available. From now on the new type bayonet plate (503CW/501CM) must be used also in above mentioned cameras.

Please use the following numbers:

30777     Bayonet front plate, complete

40403     Bayonet front plate

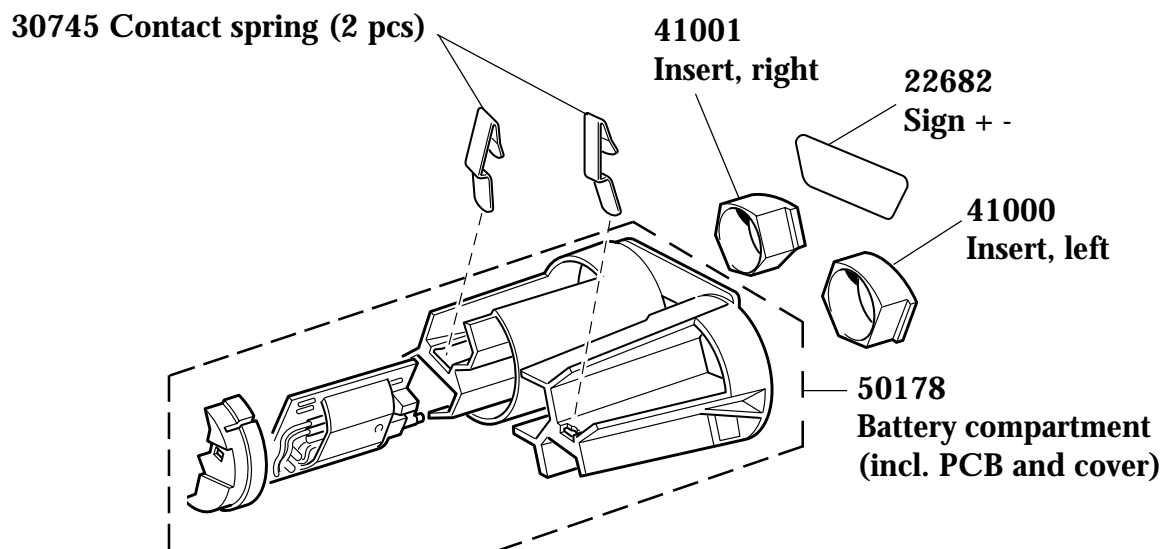
# S E R V I C E I N F O

No. 3 March 1999

## Hasselblad 553ELX

### Battery compartment

The assembly 50178 has been changed. The following parts: 22682, 30745, 41000 and 41001 which previously were included in the assembly must now be ordered additionally.



Please note that the PCB (30743) and the cover (30734) are no longer available separately.



# S E R V I C E I N F O

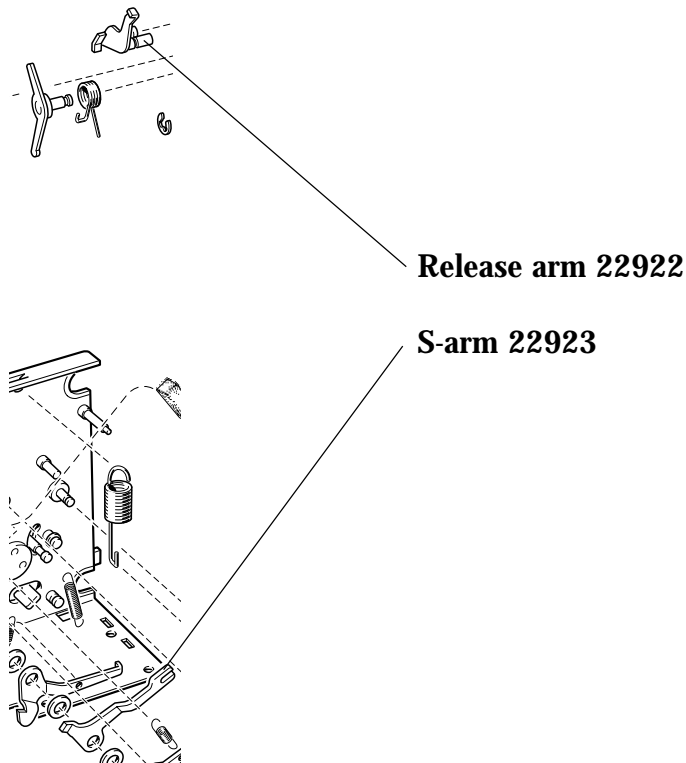
No. 4 March 1999

## Hasselblad 553/500ELX, 500EL/M & 500EL

### Release arm and S-arm redesigned

In order to improve the reliability of the above cameras the release arm and the S-arm have been modified. The new parts are fully compatible backwards. However, both parts must be replaced together. The previous parts are discontinued and no longer available.

New parts:	22922	Release arm
	22923	S-arm
Discontinued parts: (no longer available)	13569	Release arm
	21220	S-arm



# S E R V I C E I N F O

No. 5 March 1999

## Hasselblad 555ELD

Some time ago the new camera body 555ELD was introduced. This newly designed camera body has been redeveloped from the 553ELX model which is now discontinued. Several improvements and new features of this new camera version are specially adapted for professional digital imaging.

The improvements and new features of the 555ELD camera include:

• improved stray-light reduction

- connectors for IR release unit providing wireless camera operation with the Hasselblad IR remote control.
- integrated connectors for digital camera backs.
- redesigned improved mirror mechanism which increases the durability and reliability of the mirror operation.
- ISO film speed setting raised to ISO64-4000.

Please find enclosed a list of the new spare parts as well as a preliminary spare part catalogue. A final Service Manual is under production and will be available in due course.

Page 2. Spare parts list and preliminary spare parts catalogue.

**The new spare parts for Hasselblad 555ELD**

<b>22706</b>	<b>Reflection protector</b>
<b>22707</b>	<b>Inner wall, left</b>
<b>22709</b>	<b>Cover</b>
<b>22714</b>	<b>Plate</b>
<b>22894</b>	<b>Name plate</b>
<b>22896</b>	<b>Arm</b>
<b>22897</b>	<b>Reflection protector</b>
<b>22898</b>	<b>Mode sign</b>
<b>22902</b>	<b>Reflection protector</b>
<b>22903</b>	<b>Insulating shim</b>
<b>22912</b>	<b>Leather</b>
<b>22913</b>	<b>PC board</b>
<b>22915</b>	<b>Contact flex</b>
<b>22916</b>	<b>Tape</b>
<b>22917</b>	<b>Cover</b>
<b>22918</b>	<b>Attachment</b>
<b>22922</b>	<b>Release arm</b>
<b>22923</b>	<b>S-arm</b>
<b>22928</b>	<b>Cover</b>
<b>22931</b>	<b>Cable (2 pcs)</b>
<b>22943</b>	<b>Light seal "palpas" (2 pcs)</b>
<b>22980</b>	<b>Frame</b>
<b>30716</b>	<b>Mirror, complete</b>
<b>30748</b>	<b>Inner wall, right</b>
<b>30754</b>	<b>Mirror hinge</b>
<b>30791</b>	<b>Rear plate, complete</b>
<b>30793</b>	<b>Release lever</b>
<b>30801</b>	<b>Motor housing</b>
<b>40422</b>	<b>Rear plate</b>
<b>40423</b>	<b>Inner wall, right (complete)</b>
<b>40424</b>	<b>Motor unit, complete</b>
<b>829790</b>	<b>Screw (4 pcs)</b>
<b>852859</b>	<b>Micro switch</b>
<b>853549</b>	<b>Capacitor</b>

# S E R V I C E I N F O

No. 6 April 1999

## CB, CFi and CFE Lenses

### New spare parts catalogue!

Please find enclosed documentation as follows:

- Contents list		Revision 0 - March 1999
- Prefactory Note		Revision 0 - March 1999
- Spare part catalogue	Planar CB 80	Revision 0 - January 1999
- Spare part catalogue	Tessar CB 160	Revision 0 - January 1999
- Spare part catalogue	Distagon CB 60	Revision 0 - January 1999
- Spare part catalogue	Makro-Planar CB 120	Revision 0 - January 1999
- Spare part catalogue	Planar CFE 80	Revision 0 - January 1999
- Spare part catalogue	Distagon CFE 40	Revision 0 - January 1999
- Spare part catalogue	F-Distagon CFi 30	Revision 0 - January 1999
- Spare part catalogue	Distagon CFi 50	Revision 0 - January 1999
- Spare part catalogue	Planar CFi 100	Revision 0 - January 1999
- Spare part catalogue	Makro-Planar CFi 120	Revision 0 - January 1999
- Spare part catalogue	Sonnar CFi 150	Revision 0 - January 1999
- Spare part catalogue	Sonnar CFi 180	Revision 0 - January 1999
- Spare part catalogue	Sonnar CFi 250	Revision 0 - January 1999

Please note that a complete Service Manual including the remaining sections like the spare part catalogue for the Tele-Superachromat CFE 350 and the Sonnar-Superachromat CFi 250, all repair instructions, tool list and lubrication chart are under preparation by Zeiss and will be distributed as soon available.

Note! The above listed spare part catalogues for the CB 80 and CB 160 replaces the preliminary documentation CB 80 marked "Preliminary - 20.10.97" (Service Info 33/97) as well as the CB 160 documentation marked "Preliminary - 06.02.98" (Service Info 7/98).

# S E R V I C E I N F O

No. 7 June 1999

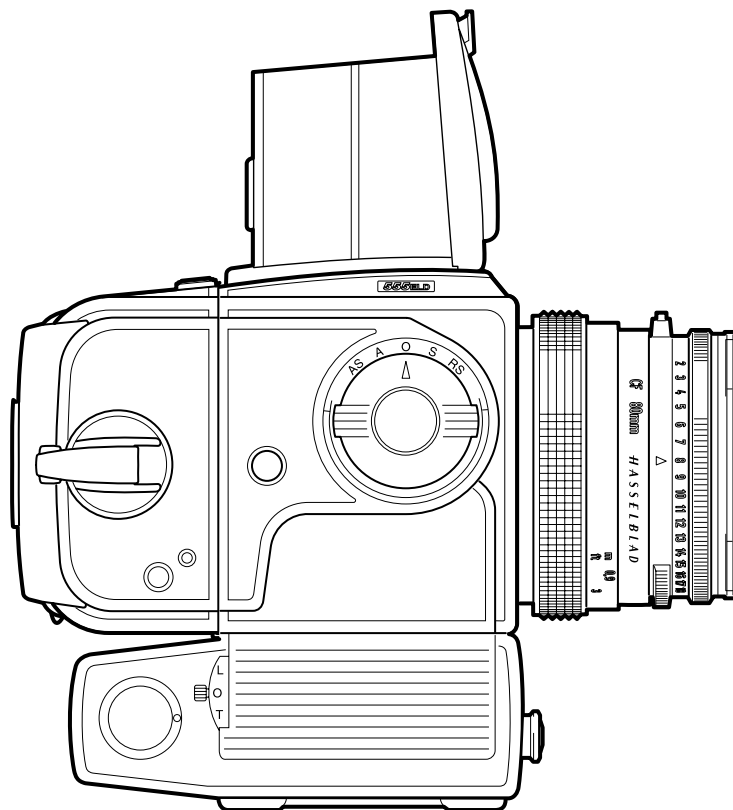
## Hasselblad 555ELD

### New Service Manual!

The service manual for the 555ELD is now available. It contains service instructions as well as a complete spare part catalogue with exploded views. The camera bodies 553ELX and 500ELX are also included.

One copy of the Service Manual will be distributed automatically. Additional copies to be ordered and paid for as usual.

Note! This Service Manual replaces the preliminary documentation marked "Preliminary spare parts catalogue 555ELD" (Service Info No. 5 March 1999).



# S E R V I C E I N F O

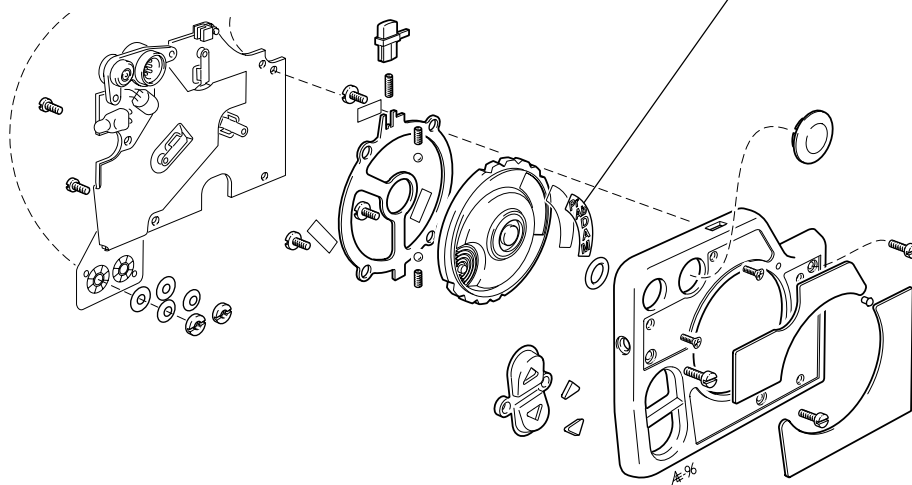
No. 8 October 1999

## Hasselblad 205TCC

Due to logistic reasons the control panel assembly, part No. 105029, is no longer available.

From now on, the same panel which is used for the camera bodies 202FE and 205FCC should be used. (Part No. 105021).

However, please note that the mode sign which is held by double sided tape must be ordered separately. The new part number is: 105955 Mode sign 205TCC.



Please replace the corresponding documentation in the Service Manual 203FE - 205FCC - 205TCC with the following:

Specification  
Specification

Page No. 6  
Page No. 7

September 1999 - Revision 1  
September 1999 - Revision 1

# S E R V I C E I N F O

No. 9 October 1999

## Hasselblad 555ELD

The mounting plate in the motor housing has been modified. The red cable has been shortened for more clearance.

The spare part numbers have been changed according to the following:

Contact spring, part No. 22646, changed to 22904.

Mounting plate, part No. 22645, changed to 22978.

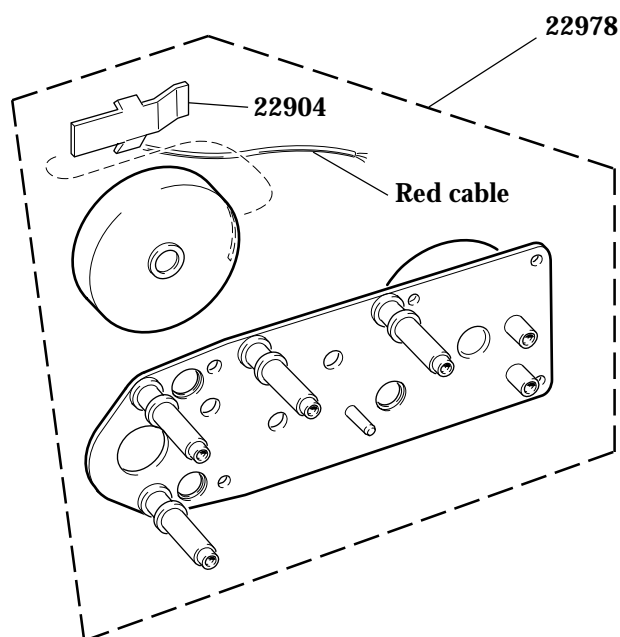
Please note that the spare part numbers 22646 and 22645 are still valid for the cameras 500ELX and 553ELX.

Please replace the corresponding documentation in the Service Manual 555ELD with the following:

Specification

Page No. 14

September 1999 - Revision 1



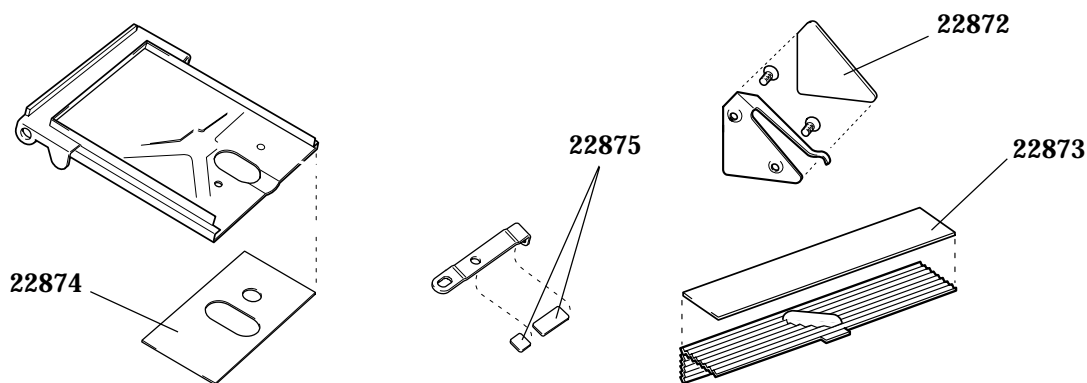
# S E R V I C E I N F O

No. 10 October 1999

## Hasselblad 503CW, 501CM, 501C, 503CX/CXi & 500C/M classic

Some time ago the camera bodies 503CW and 501CM were modified with reflection protectors inside the mirror box. This modification was made to improve the stray-light reduction.

The new spare parts are marked out on the sketch below.



The reflection protector for the front gear cover, part No. 22873, may also be used for the previous camera models 501C, 503CX/CXi and 500C/M classic.

Please replace the corresponding documentation in the Service Manual 503CW - 501CM with the following:

Specification	Page No. 10	September 1999 - Revision 1
Exploded view	Page No. 10	September 1999 - Revision 1
Specification	Page No. 11	September 1999 - Revision 2
Exploded view	Page No. 11	September 1999 - Revision 2
Specification	Page No. 12	September 1999 - Revision 1
Exploded view	Page No. 12	September 1999 - Revision 1
Specification	Page No. 15:4	September 1999 - Revision 2
Exploded view	Page No. 15:4	September 1999 - Revision 2
Specification	Page No. 16:3	September 1999 - Revision 1
Exploded view	Page No. 16:3	September 1999 - Revision 1
Specification	Page No. 17:4	September 1999 - Revision 1
Exploded view	Page No. 17:4	September 1999 - Revision 1
Specification	Page No. 18:4	September 1999 - Revision 1
Exploded view	Page No. 18:4	September 1999 - Revision 1
Specification	Page No. 19:3	September 1999 - Revision 1
Exploded view	Page No. 19:3	September 1999 - Revision 1



# S E R V I C E I N F O

No. 11 October 1999

## Hasselblad Zoom lens FE 4.8/60 - 120 mm

Spare parts and service documentation for the Hasselblad Zoom lens is now available.

Please note that in cases of repair work of the focusing mount and the zoom function, the complete lens must be sent to Victor Hasselblad AB, Service Department for repair.

Some new tools are required in order to be able to repair the lens. The tools, which can be ordered from the Technical Support Department, are the following:

Tool No.	Description	Used for
ADK1KJ01	Cam ring gauge	Aperture adjustment
ADK1KJ03	Spacer mounting gauge	Mounting tool
ADK1KJ07	Aperture test pin	Reference of smallest aperture
ADK1KJ08	Aperture adjustment gauge	Aperture adjustment
ADK1KJ14	Wrench number ring	Removal of number ring
ADK1KJ15	Wrench rear group	Removal of retaining ring
ADK1KJ45	Wrench front group	Adjustment of front group

Please find enclosed the following documentation:

Contents list	Accessories III (page 2)	September 1999 - Revision 1
General	Page No. 25:1	September 1999 - Revision 0
Repair	Page No. 25:2	September 1999 - Revision 0
Repair	Page No. 25:3	September 1999 - Revision 0
Tools	Page No. 25:4	September 1999 - Revision 0
Specification	Page No. 25:5	September 1999 - Revision 0
Exploded view	Page No. 25:5	September 1999 - Revision 0
Specifications	Page No. 25:6 (2 pages)	September 1999 - Revision 0
Exploded view	Page No. 25:6	September 1999 - Revision 0
Specification	Page No. 25:7	September 1999 - Revision 0
Exploded view	Page No. 25:7	September 1999 - Revision 0

The documentation above should be filed in the Service Manual Accessories III.

# S E R V I C E I N F O

No. 12 October 1999

## Hasselblad View Magnifier

Please find enclosed specification and exploded view for the new magnifier.

Specification	Page No. 26	September 1999 - Revision 0
Exploded view	Page No. 26	September 1999 - Revision 0

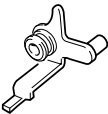

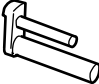

The documentation above should be filed in the Service Manual Accessories III.

# S E R V I C E I N F O

No. 13 October 1999

## Hasselblad 200 series cameras

In order to improve the reliability and as a preventive measure, we would like you to replace parts (if necessary) according to the description below in all 200 series cameras coming in for repair.

Part No.	Description		Characteristic
105110	Arm		Improved surface treatment. The colour of the arm should be black. If it is shiny, replace.
107430	Mirror catch		Improved strength and movement. The catch should have three holes including one attachment hole for the screw. If just one attachment hole, replace.
105953	Buffer		Improved surface treatment for better operation when a cable release cord is used. Should be shiny black. If the surface is dull grey/black, replace.
103 441	Stop		Improved strength. The colour of the stop should be black. If it is red, replace.

Please also check possible stock of the above mentioned spare parts and correct if necessary.

# S E R V I C E I N F O

No. 14 October 1999

## Hasselblad 500EL, 500EL/M and 500ELX

Since January 1997 we have been supplying spare parts for modification of the motor housing to accommodate regular 1.5 volt AA batteries like in the 553ELX. (Please see Service Info No. 1, 1997).

The spare parts have been supplied at a special price.

Please be informed that from now on, we can no longer maintain this calculation. The prices will be adjusted accordingly .

Note! Remaining backorders will not be affected.

The parts involved are the following:

22645	Mounting plate
50178	Battery compartment
30737	Battery cover chrome (black = 30742)
30745	Contact spring
41000	Insert, left
41001	Insert, right

# S E R V I C E I N F O

No. 15 November 1999

## New version of the Service Manuals on CD-ROM

Please find enclosed the updated Version 1.1 of our Service Manuals.

Version 1.1 replaces the previous Version 1.0.

Two more product groups have been added.

Lenses CB, CFE, CFi and the Camera bodies 555ELD, 553/500ELX.

All Service Infos released since 1992 have also been included.

As we indicated already in our Service Info No. 14 from November 1998, we will from now on only have our Service Manuals available digitalized with an updating program every six months.

Between the releases of the CD, Service Infos will be distributed as usual to keep you updated.

The program starts with the CB, CFE, CFi group mentioned above.

The complete version of the Service Manual is included on the disc containing general information, specifications, exploded views, tool lists, repair instructions and lubrication plans for each lens type.

To read, view and print the manuals the software Acrobat Reader 3.0 or 4.0 is required. (Acrobat Reader 4.0 only for Windows 95/98 and NT4).

Installation of the Acrobat Reader for both Windows 3.1, Windows 95/98 and NT4 have been conveniently included on the disc.

Please read the "readme.txt" file also included on the disc as well as printed on page 2 for a complete installation instruction.

### Required hardware:

<b><u>Minimum:</u></b>	486 processor	<b><u>Recommended:</u></b>	Pentium processor
	8 MB Ram		16 MB Ram
	CD-ROM drive		CD-ROM drive

Encl. Hasselblad Service Manuals on CD-ROM, Version 1.1

Welcome to the Hasselblad Service Manuals on CD-ROM.

=====

On this CD-ROM, we have gathered most of the service manuals for our cameras. The format we used is Adobe Acrobat which has become more or less the industry standard for publishing documents electronically on CD-ROM or via Internet. In order to view the manuals you need the software Acrobat Reader 3.0 or 4.0 to be installed. Installations for both Windows 3.1, Windows 95/98 and Windows NT4 have been included on the disc for your convenience.

Installation of the Acrobat Reader Version 3.0 or Version 4.0 software

=====

If you are using Windows 95/98 or NT4, run the installer AR40ENG.EXE (Ver 4.0) or AR32E301.EXE (Ver 3.0) from the directory ACROINST on the CD-ROM.

If you are using Windows 3.1, run the installer AR16E301.EXE (Ver 3.0) from the directory ACROINST on the CD-ROM.

Reading the manuals

=====

All the manuals are interlinked within Acrobat. Usually you open the file "START.PDF" which is the start page, from there, you can reach all the manuals just by clicking the images. However, you can also open the manual you want directly from the disc.

In the files, there are several means of navigation within the manuals. Along the left side of the screen, there is a list of clickable bookmarks. If there is a small triangle on the left of the bookmark, it means it contains further sub-bookmarks. To see them, click on the triangle and the bookmark expands.

In all the manuals, the top bookmark leads back to the start page.

The titles in the CONTENTS LIST of each manual are also clickable, leading directly to the chapter.

In the manuals, there is a page not existing in the printed version. It's the list of related info sheets, where you find direct links to the related Service Infos.

On some pages, there are special links in the form of a gray, rectangular button. The text in the button tells where it is linked.

Service Infos

=====

All Service Infos sent out since 1992 are included on this CD-ROM. You find them in the folders named "INFO" and the year of publishing. Just as the manuals, they are in the Acrobat format and can be opened with Acrobat Reader 3 or 4.

Printing the manuals

=====

Naturally, the manuals can be printed on laser printers with very good results. But please check your settings in the Page Setup first so they match your usual settings regarding paper format etc. There is an option in Acrobat Reader when printing, which allows the pages to be scaled to fit other paper formats than A4 Letter.

# S E R V I C E I N F O

No. 1 February 2000

## New version of the Service Manuals on CD-ROM

Please find enclosed the updated Version 1.2 of our Service Manuals.  
Version 1.2 replaces the previous Version 1.1.

The following changes have been made:

<u>Service Manual</u>	<u>Page</u>	<u>Rev.</u>	<u>Change</u>	
CB/CFE/CFi	01:3:16	1	Fig. 01:3:16/2, corrected adjustment of 1/500 s	
CB/CFE/CFi	00:0:02	1	Updated index	
Magazine	7	Specification	1	13891 spring, no longer available Pos. 12722-1 shim, changed to 12722-0.20
Magazine	7	Exploded view	1	13891 spring, no longer available
Magazine	8	Specification	2	12722-1 shim, changed to 12722-0.20
Magazine	9	Specification	1	12722-1 shim, changed to 12722-0.20
Magazine	22	Specification	1	12722-1 shim, changed to 12722-0.20
Magazine	2:3	Reassembly	2	Adjustment of eccentric 22171
Accessories III	7	Specification	1	Pos. 11 prism, new type, part No. 414332 Pos. 12 new part, protective foil part No. 415468
Accessories III	7	Exploded view	1	Pos. 12 new part, protective foil
Accessories III	21	Specification	2	Pos. 5 Cable release, No. changed to 406419
Accessories III	29	Specification	0	New product, PM45
Accessories III	29	Exploded view	0	New product, PM45
Accessories III		Contents list	2	Page 29 (PM45) has been added
Accessories III	1	Specification	1	Pos. 32 Shell, No. changed to 414322
555ELD	15	Specification	1	Pos. 49 & 50 corrected description, "screw" changed to "washer"
555ELD	18	Specification	1	Inner wall right, part No. 40333 added

The following text "**CAUTION! When handling the circuit board a grounded bench mat and a wrist strap must be used to prevent ESD damage**" has been added to the pages listed below:

<u>Service Manual</u>	<u>Page</u>	<u>Rev.</u>
Accessories III	6:1	1
Accessories III	18:3	1
Accessories III	19:5	1
Accessories III	19:6	1
555ELD/553ELX/500ELX	3:4	1
555ELD/553ELX/500ELX	4:13	1
503CW/501CM	3:2	1
503CW/501CM	5:8	2
Magazine	1:2	1
Magazine	2:4	1
203FE/205FCC/TCC	3:1	3
202FA/201F	3:1	1
202FA/201F	3:6	1



# S E R V I C E I N F O

No. 2 February 2000

## Film magazines A16 and E16

### Adjustment of eccentric 22171!

For a period of time a test of adjusting the eccentric 22171 in a slightly different way (see fig. 1) has been done. This in order to improve the distance between the index (double arrow) on the backing paper of the film and the position of first exposure.

However, to bring the magazines in line with the most common films it proved to be better to adjust the eccentric to the former (basic) position, which is therefore used in the production again.

This temporarily adjustment of the eccentric concerns the following magazines:

A16 serial No. 31EE10250 - 31EE10740

E16 serial No. 37EE10021 - 37EE10050

Whenever an A/E16 magazine within the above number series comes in for repair and where the customer seems to have problem related to the first exposure, the eccentric should be adjusted back to the basic position (see fig. 2).

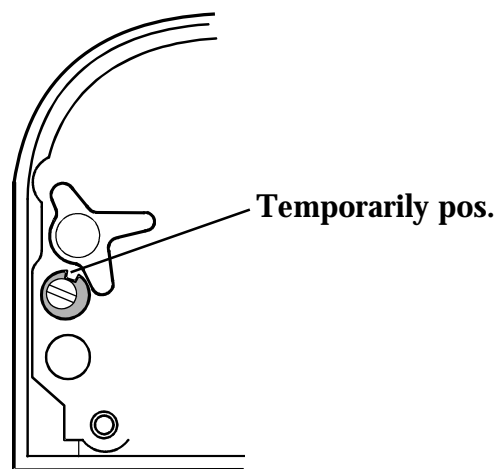


Fig. 1

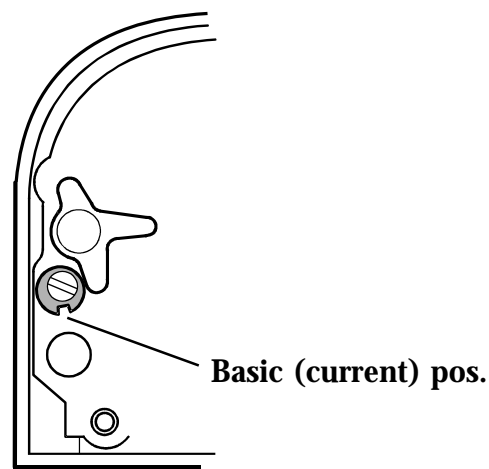


Fig. 2

# S E R V I C E I N F O

No. 3 February 2000

## Prism viewfinder PM90

### New type Prism!

In order to simplify the production of the PM90 prism viewfinder the same prism as in the PME90 is being used. To be able to cover the "display window" of the prism a protective foil has been added (see fig. 1 below).

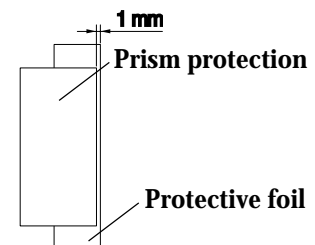
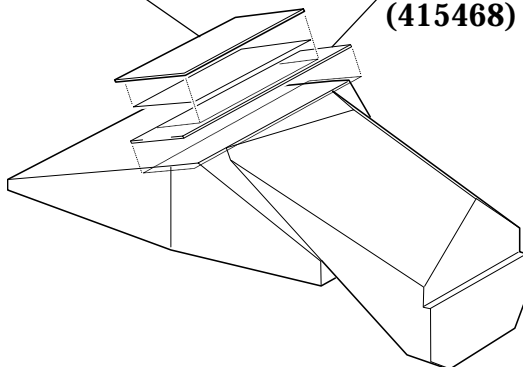
The modification was recently introduced in our production from serial No. 411EE1700 - fwd.

The new parts are:   414332   Prism  
                          415468   Protective foil

Discontinued parts: 414331   Prism  
(still available)

Prism protection  
(414453)

Protective foil  
(415468)



Note the mounting position  
of the prism protection!

# S E R V I C E I N F O

No. 4 February 2000

## New product - Hasselblad Prism viewfinder PM45

Recently the new prism viewfinder PM45 was introduced. It is replacing its predecessor PM5 which is discontinued.

PM45 has the following main characteristics:

Angle of view:	45 degrees
Magnification:	2.5x
Ocular:	High eyepoint design for eye glass users. Variable diopter setting (-2 - +1 dpt). No add-on diopter correction lenses due to the high eyepoint design.

Please find on the enclosed CD-ROM Version 1.2 of the Service Manuals specification and exploded view for the new viewfinder.

Accessories III	Specification	Page No. 29	February 2000 - revision 0
Accessories III	Explode view	Page No. 29	February 2000 - revision 0

# S E R V I C E I N F O

No. 5 April 2000

## **C lenses - early warning!**

**First a short recapitulation: The C lenses came with the 500C in 1957. In 1972 we switched from chrome finish to black. In 1982 the C lenses were replaced by the CF version.**

**We are now approaching the stage where repairs on the C lenses will become a problem. Certain parts, mainly the external rings and barrels, focusing mounts, lens elements a.s.f. cannot be reproduced any more due to lack of production tools and material. Repairs requiring the mentioned parts, must therefore be subjected to the availability of replacements needed in each particular case.**

**Basic shutter parts on the other hand will be produced and available as long as present production facilities allow. Still we would probably have to realize that the availability of also these parts will successively become limited.**

**As a consequence of the above, Carl Zeiss will close the C line in Oberkochen for repairs, and instead refer those customers to their local distributor/service facility.**

**Pending the overview of the available parts inventories and connected time aspects, we wanted to give you this signal already now. We will revert with further notice as to a possible joint and uniform concept as well as to the information to the market.**

# S E R V I C E I N F O

No. 6 June 2000

## New Meter prism viewfinder - PME45

The new meter prism viewfinder PME45 has now been introduced. It replaces its predecessor PME51 which has been discontinued. PME45 has a large number of parts and characteristics in common with the recently introduced PM45.

### *Main technical specification:*

Angle of view:	45 degrees
Magnification:	2.5x (unreversed image)
Ocular:	High eyepoint design for eyeglass users Variable diopter setting (-2 - +1 dpt)
Metering modes:	Spot, integral and incident light metering
Metering ranges at ISO100:	Spot metering +1 to 21 EV Integral metering -1 to + 19EV Incident light metering -3 to 17EV
Metering area:	Spot meter: central diameter 12 mm Integral meter: 35x45 mm (vertically and horizontally respectively)
Battery:	CR-2 (3V Lithium type)
Weight:	440 gram

Please find on the enclosed CD-ROM (Version 1.3), specifications, exploded views and service instructions according to the following:

Accessories III	Specification	Page No. 30:1	May 2000 - revision 0
Accessories III	Exploded view	Page No. 30:1	May 2000 - revision 0
Accessories III	Specification	Page No. 30:2	May 2000 - revision 0
Accessories III	Exploded view	Page No. 30:2	May 2000 - revision 0

The PME45 has microprocessor controlled electronics. Variable resistors are eliminated. The calibration is done by software writing corrections into an EE-prom. The Hasselblad Service Test System and an IBM compatible PC must be used for the calibration work. (See Service Info No. 7 June 2000).

# S E R V I C E I N F O

No. 7 June 2000

## Hasselblad Service Test System 970600 and PME45

A new version of the program file VHABSTS.EXE is required in order to be able to carry out service work on the new prism viewfinder PME45.

This version is called 6.0 and can be found on the new CD-ROM (Version 1.3) directly under the directory VHABSTS. It replaces the former version 5.1.

Due to the above, the user instructions for the service test system has also been modified. This new version, named VHABSTS.PDF, can also be found on the CD-ROM (Version 1.3) directly at the root directory.

In addition to the new program file and the user instructions, the existing PME90 Adapter 971006 must be used between the PC and the PME45.

However, a new cable is required connecting the adapter and the finder.

This cable is called the PME45 test cable and the number is 971155.

Another tool required for calibration of the incident light meter is the existing Tube 905018 currently used for PME90.

However, in order to accomodate the tube to both the PME90 and PME45 the socket of the tool must be replaced. The socket is held by tree screws.

The new test cable 971155 as well as a modified socket will be distributed shortly free of charge. All service stations equipped with the Hasselblad Service Test System 970600 will receive these items.

# S E R V I C E I N F O

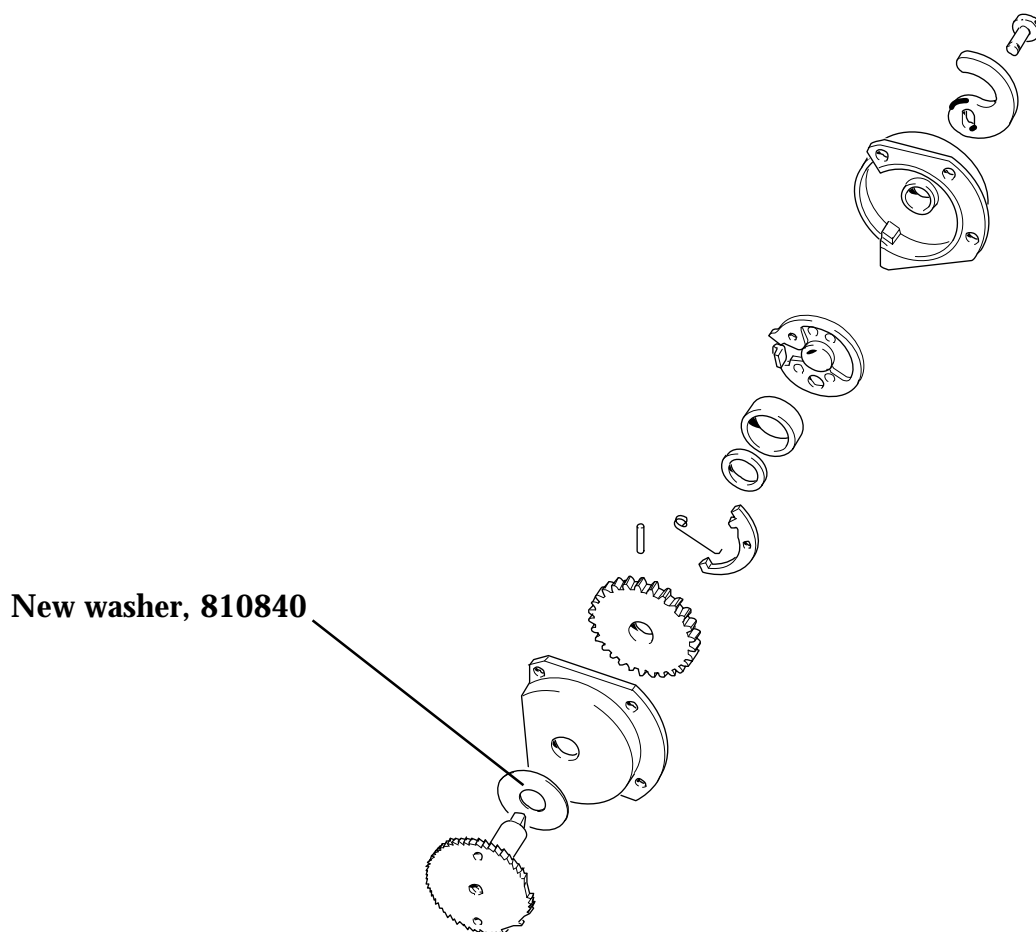
No. 8 June 2000

## Hasselblad 501CM and 503CW

In order to improve the stop lever function when cocking the camera a washer has been added to the gear box assembly.

It is placed according to the sketch below and has been introduced in the production from camera serial No. 10SS20800 501CM  
19SS26644 503CW

The thickness of the washer is 0,10 mm and the part No. is 810840.



# S E R V I C E I N F O

No. 9 June 2000

## New version of the Service Manuals on CD-ROM

Please find enclosed the updated Version 1.3 of our Service Manuals.  
Version 1.3 replaces the previous Version 1.2.

The following changes have been made:

<u>Service Manual</u>	<u>Page</u>	<u>Rev.</u>	<u>Change</u>	
Magazine	9	Specification	2	Spring 13891, no longer available
Magazine	9	Exploded view	1	Spring 13891, no longer available
503CW	3:2	Disassembly	2	Circuit board 22889, part No. changed to <u>22882</u>
503CW	3:4	Disassembly	1	New part in the gear housing, 810840 washer
503CW	4:1	Reassembly	1	New part in the gear housing, 810840 washer
503CW	4:2	Reassembly	2	Changed reassembly procedure (auxiliary shutter stop 22436)
503CW	4:3	Reassembly	1	Changed reassembly procedure (auxiliary shutter stop 22436)
503CW	5:8	Adjustment	3	Circuit board 22889, part No. changed to <u>22882</u>
503CW	8	Specification	2	New part, 810840 washer (pos. 11)
503CW	8	Exploded view	2	New part, 810840 washer (pos. 11)
503CW	13	Specification	2	Circuit board 22889, part No. changed to <u>22882</u>



<u>Service Manual</u>	<u>Page</u>	<u>Rev.</u>	<u>Change</u>
501CM	19:2	Exploded view	1 New part, 810840 washer
501C	15:4	Specification	3 Front plates 30376-3 and 40314 replaced by <u>30777</u> and <u>40403</u> respectively
501C	15:4	Exploded view	3 Front plates 30376-3 and 40314 replaced by <u>30777</u> and <u>40403</u> respectively
503CXi	16:3	Specification	2 Front plates 30376-3 and 40314 replaced by <u>30777</u> and <u>40403</u> respectively
503CXi	16:3	Exploded view	2 Front plates 30376-3 and 40314 replaced by <u>30777</u> and <u>40403</u> respectively
503CX	17:4	Specification	2 Front plates 30376-3 and 40314 replaced by <u>30777</u> and <u>40403</u> respectively
503CX	17:4	Exploded view	2 Front plates 30376-3 and 40314 replaced by <u>30777</u> and <u>40403</u> respectively
500C/M	18:4	Specification	2 Front plates 30376-3 and 40314 replaced by <u>30777</u> and <u>40403</u> respectively
500C/M	18:4	Exploded view	2 Front plates 30376-3 and 40314 replaced by <u>30777</u> and <u>40403</u> respectively
555ELD	10	Specification	1 Circuit board 22889 (pos. 8), part No. changed to <u>22882</u>
Accessories III	2	Specification	2 Shoe 414108 (pos. 27), part No. changed to <u>406110</u>
Accessories III	6	Specification	2 Shoe 414108 (pos. 36), part No. changed to <u>406110</u>
Accessories III	7	Specification	2 Shoe 414108 (pos. 3), part No. changed to <u>406110</u>
Accessories III	18:2	Specification	1 Shoe 414108 (pos. 14) part No. changed to <u>406110</u>

<u>Service Manual</u>	<u>Page</u>	<u>Rev.</u>	<u>Change</u>	
Accessories III	18:3	Repair instr.	2	Tolerances for exposure meter and current drain added
Accessories III	21	Exploded view	1	Error in previous edition, pos. 10 missing
Accessories III	29	Specification	1	Engraved frame 418411 (pos. 14), part No. changed to <u>414387</u>
Accessories III	30:1	Specification	0	New product, PME45
Accessories III	30:1	Exploded view	0	New product, PME45
Accessories III	30:2	Specification	0	New product, PME45
Accessories III	30:2	Exploded view	0	New product, PME45
Accessories III	30:3	Repair Instr.	0	New product, PME45
Accessories III	30:4	Repair Instr.	0	New product, PME45
CB/CFE/CFi	00:0:02		2	Updated index of current pages
CB/CFE/CFi	00:0:03		1	Updated index of current pages
CB/CFE/CFi	07:1:01		0	Tele-Superachromat 5,6/350 CFE
CB/CFE/CFi	07:1:01		0	Tele-Superachromat 5,6/350 CFE
CB/CFE/CFi	07:1:02		0	Tele-Superachromat 5,6/350 CFE
CB/CFE/CFi	07:3:01		0	Tele-Superachromat 5,6/350 CFE
CB/CFE/CFi	08:1:03		1	Pos. 15a - 16b, modified screw and holding ring (countersunk holes)
CB/CFE/CFi	08:1:04		1	Pos. 15a - 16b, modified screw and holding ring (countersunk holes)
CB/CFE/CFi	08:3:02		1	Correction of the values for C, new figure 08:3:02/3 (changed instruction)
CB/CFE/CFi	10:3:02		1	Correction of the value for A

<u>Service Manual</u>	<u>Page</u>	<u>Rev.</u>	<u>Change</u>
CB/CFE/CFi	13:3:02	1	New figure 13:3:02/1 (changed instruction)
CB/CFE/CFi	14:1:03	1	Error in previous edition, pos. 12 missing
CB/CFE/CFi	14:1:04	1	Error in previous edition, pos. 12 missing
CB/CFE/CFi	15:1:01	0	Sonnar-Superachromat 5,6/250 CFi
CB/CFE/CFi	15:1:02	0	Sonnar-Superachromat 5,6/250 CFi
CB/CFE/CFi	15:3:01	0	Sonnar-Superachromat 5,6/250 CFi

# S E R V I C E I N F O

No. 10 June 2000

## C lenses - Service Policy

First the Victor Hasselblad AB service policy in general:

VHAB guarantee service and spare parts for a period of no less than 10 years after withdrawal from the production of any major product such as cameras, lenses and magazines.

In 1982 the C lenses were replaced by the CF version. Consequently we have been able to offer full service of the C lenses for 18 years!

As mentioned in our Service Info No. 5 of April 2000, certain parts, mainly the external rings, barrels, focusing mounts and lens elements cannot be reproduced any more due to lack of production tools and material at Carl Zeiss, Germany. Repairs requiring the mentioned parts must therefore be subjected to the availability of replacements needed in each particular case. Please consult the VHAB, Technical Support Department.

However, all internal shutter parts which are listed on page 2, will still be available as long as the production facilities allow even if we cannot maintain the present price calculation on a longer term basis.

Please note that the Sonnar C 5.6/250 Superachromat lens is excluded from the above. This lens will still be possible to repair at Carl Zeiss, Germany as long as parts are available.

Many Hasselblad owners of long standing still treasure their classical C lenses and rightly so.

It should be pointed out, however, that progress in lens design over the last few years has resulted in the present Hasselblad CFi, CFE and CB lenses. Apart from improved ergonomics, the achievements to reduce stray light are of particular interest, e.g. under the tough lighting conditions of today's white background photography. These lenses also contain the new improved shutter with extended lifetime.

<b>Spare part No.</b>	<b>Description</b>
109950 0003 000	Screw 260
109950 0004 000	Screw 304
109950 0005 000	Screw 323
109950 0028 000	Diaph. blade 105
109950 0029 000	Diaph. disc 106
109950 0032 000	Screw 117 long
109950 0033 000	Blade ring 202
109950 0034 000	Shutter blade 208
109950 0038 000	Screw 261
109950 0040 000	Shutter blade 268
109950 0044 000	Drive 514
109950 0045 000	Main spring 515
109950 0047 000	X-lever 615
109950 0055 000	Blade cover 116
109950 0058 000	Blade ring 252
109950 0062 000	Spring 521
109950 0082 000	Screw 702-004
109950 0090 000	Screw 029
109950 0108 000	Pinion 060
109950 0109 000	Sleeve 062
109950 0110 000	Telescope shaft 063
109950 0112 000	Latch 065
109950 0113 000	Screw 066
109950 0114 000	Spring 068
109950 0116 000	Bridge 071
109950 0117 000	Light tunnel 072
109950 0126 000	Mount 702-204-1004
109950 0128 000	Shutter blade 269
109950 0131 000	Ring 528
109950 0140 000	Flash terminal 600-01
109950 0150 000	Rivet 784
109950 0164 000	Sleeve 062
109950 0165 000	Telescope shaft 703-063
109950 0178 000	Sleeve 062
109950 0179 000	Telescope shaft 063
109950 8005 000	Gear train 011-300
109950 8006 000	Bayonet plate 702-001
109950 8008 000	Bay. plate 703-001
109950 8010 000	Bay. plate 704-001

# **S E R V I C E I N F O**

**No. 11 June 2000**

## **Spare part price list**

**For a long period now we have seen the weakening of the EURO (and consequently the DEM) against the Swedish Krona.**

**Up to now we have absorbed this cost increase, but the moment has come, when we have to cover ourselves to some extent and adjust our FOB prices.**

**Therefore, from August 1st, 2000 our spare part prices in EURO will be increased by 4%.**

**The new complete price list will be distributed on a diskette shortly.**

**Note! In connection with the implementation of the new price list we will change the invoicing currency from DEM to EURO for those few remaining markets, where this has not yet been done, and we take it that this will not be of any inconvenience to you.**



# S E R V I C E I N F O

No. 13 September 2000

## **Kits for modification of F lenses**

From now on the following kits for upgrading F lenses to the FE version are no longer available from our stock:

000000 0002 000	TCC Modification kit F50
000000 0003 000	TCC Modification kit F110
000000 0004 000	TCC Modification kit F150
000000 0005 000	TCC Modification kit 250/350

Note that each individual kit component can still be ordered separately.

For reference, please also see Service Info 2/92 and/or the Service Manual FE lenses.



# S E R V I C E I N F O

No. 14 September 2000

## Hasselblad 500 and 200 series cameras

### Discontinued parts!

Due to logistic reasons the following front bayonet plates are no longer available from our stock.

111 045	Front bayonet plate,	202FA
108 305	"	201F
105 045	"	203FE, 205FCC & 205TCC
40 330	"	555ELD, 553ELX
40 403	"	503CW, 501CM, 501C, 503CXi, 503CX & 500C/M

From now on, only the corresponding complete front bayonet will be available as follows:

111 023	Front bayonet plate, complete	202FA
108 023	"	201F
105 023	"	203FE, 205FCC & 205TCC
30 706-1	"	555ELD, 553ELX
30 777	"	503CW, 501CM, 501C, 503CXi, 503CX & 500C/M

# S E R V I C E I N F O

No. 15 September 2000

## Discontinued modification kits

Due to logistic reasons the following kits are no longer available from our stock:

Z44059          Conversion kit for SWC  
zz36             Brake kit magazine A12

Note that each individual kit component can still be ordered separately according to the following:

### Conversion of SWC to SWC/M:

22 321-1	Spacer	
22 323	Housing	
22 327	Nylon string	
22 328	Spring	
22 331	Crank	
22 335	Tooth wheel	
22 338	Leather	
22 339	Name plate	
22 413	Foot	
103 349	Slide	
810 533	Washer	(3 pcs)
810 944	Washer	
821 608	Screw	
821 662	Screw	(2 pcs)
823 050	Screw	(3 pcs)
824 607	Screw	(2 pcs)
828 003	Nut	(3 pcs)
823 735	Screw	(4 pcs)

### Friction brake magazine A12:

13 436	Locking washer
22 168	Bushing
22 169	Hub
810 704	Washer
815 901	Spring
821 012	Screw

# S E R V I C E I N F O

No. 16 November 2000

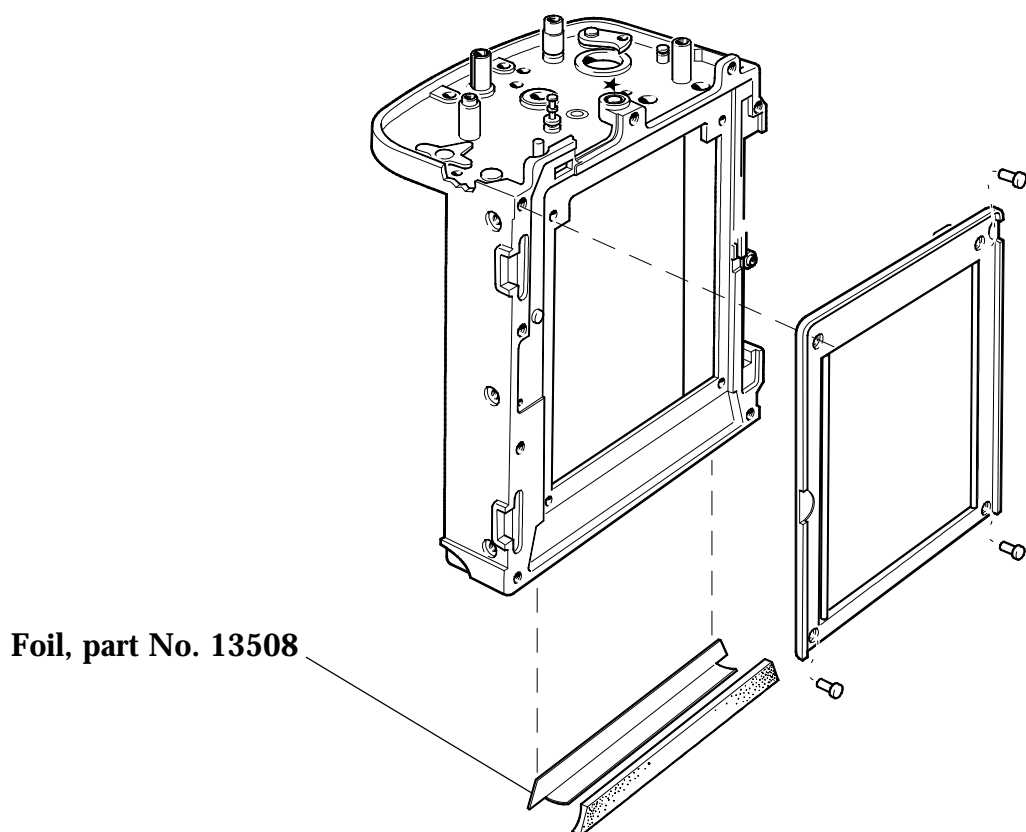
## Hasselblad film magazines

The foil (part No. 13508) for the light trap has been modified so that it cannot be accidentally damaged by the dark slide when changing magazines.

We have succeeded in finding a new material with improved characteristics to the material previously used.

We recommend the new foil to be fitted in all magazines coming in for repair and to scrap possible stock of the old type foil.

Victor Hasselblad AB will replace the corresponding amount free of charge. In order to fulfil this, we would like you to report the quantities involved to the Technical Support Department not later than December 15<sup>th</sup>.



# S E R V I C E I N F O

No. 1 February 2001

## Hasselblad 200 and 500 series cameras

### New magazine hook!

Due to production reasons (simplified adjustment procedure) the magazine hook in the above mentioned cameras has been modified. The two screw holes have been redesigned and the hook is now held by two cheese-headed cross-slotted screws secured with Loctite 638.

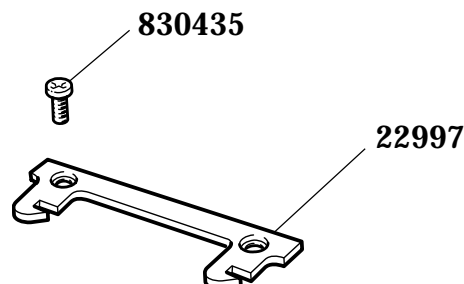
**Checking and adjustment:** Attach a magazine to the camera body and check the locking function. If necessary, loosen the screws and change the position of the magazine hook, tighten the screws (secured with loctite) and check again with the magazine. Note! Do not file.

This modification was introduced in the production from camera serial No:

10SS23686	503CW
19SS30408	501CM
14SS11112	202FA
18SS11301	203FE
15SS10466	205FCC
12SV11036	555ELD

The new parts are:            22997    Magazine hook  
   830435    Screw

Old but still available parts: 22423    Magazine hook  
   823640    Screw  
   829535    Screw



# S E R V I C E I N F O

No. 2 February 2001

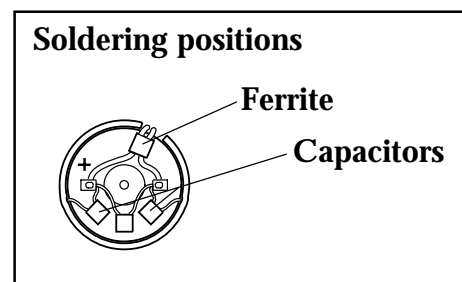
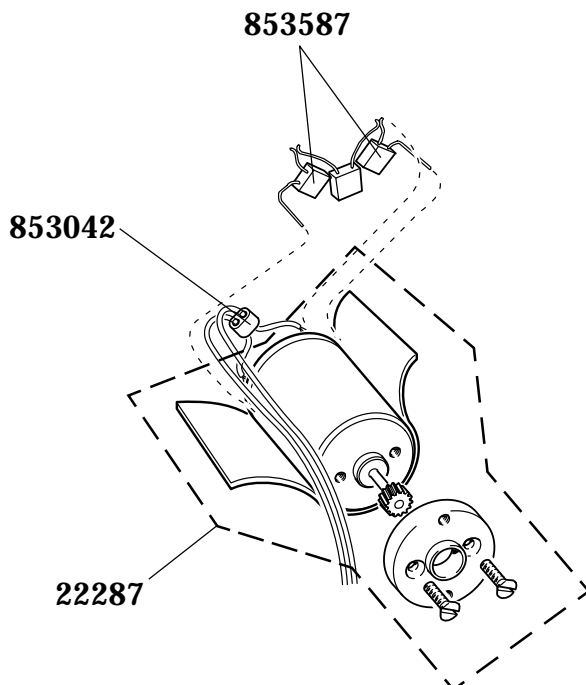
## Hasselblad 555ELD

### Modified motor unit!

In order to increase the electric disturbance elimination of the motor (22827), two additional capacitors and one ferrite (threaded on to the blue and white wires) have been added.

The modification was introduced in our production from serial No. 12SS10966

The new parts are:      853587      Capacitor (2 pcs)  
                                 853042      Ferrite



# S E R V I C E I N F O

No. 3 February 2001

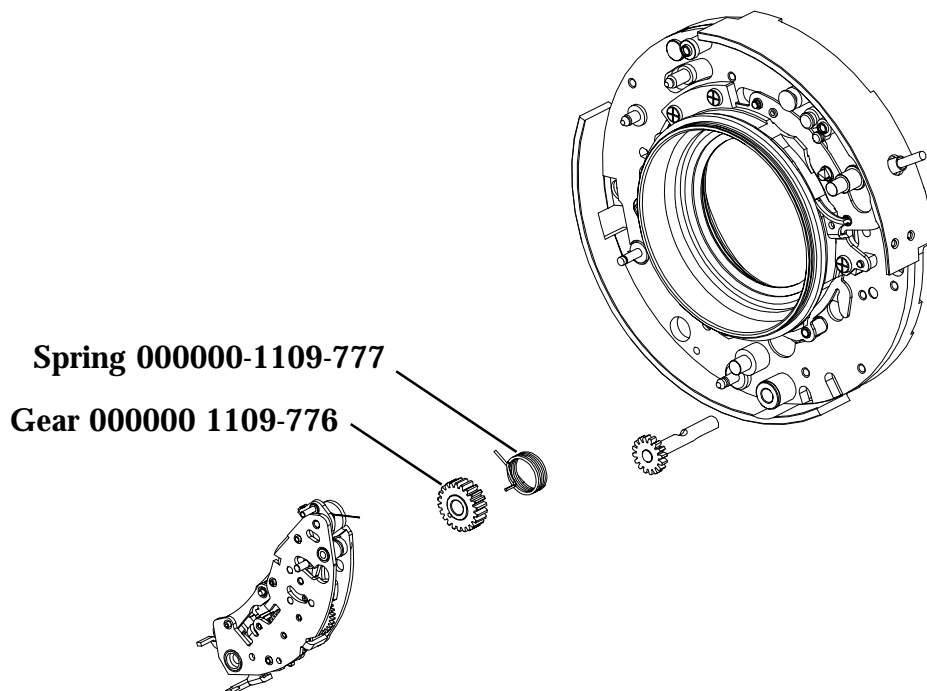
## CF, CB, CFE & CFi lenses

In order to improve the reliability and performance of the shutter, the intermediate gear and its drive spring have been modified.

Please note that the new gear and the old spring can not be used together (or vice versa) according to the specification page 01:1:11 in the Service Manual CB, CFE, CFi.

New parts:            Gear    Part No. 000000 1109-776  
                             Spring   Part No. 000000-1109-777

Discontinued parts:    Gear    Part No. 109950-0371-000  
                             Spring   Part No. 000000-1008-960



# S E R V I C E I N F O

No. 4 February 2001

## New version of the Service Manuals on CD-ROM

Please find enclosed the new Version 2.0 of our Service Manuals.

Apart from changes listed below, an additional product has been added which is the Hasselblad 903SWC. We are also introducing a simplified access to the Service Infos 1992 - 2001 directly from the main menu.

Version 2.0 replaces the previous Version 1.3.

The following changes have been made:

<u>Service Manual</u>	<u>Page</u>	<u>Rev.</u>	<u>Change</u>	
Accessories III	6	Exploded view	2	Pos. No. 7 and 8 reversed
Accessories III	7	Specification	3	Pos. 18 new type screw, part No. 826022
Accessories III 19:1	Exploded view	1	New parts, insulator 438472 (pos. 8). Screw 826015 (pos. 17) redesigned	
Accessories III 19:1	Specification	2	New parts, insulator 438472 (pos. 8). Screw 826015 (pos. 17) redesigned	
Accessories III	21	Exploded view	2	New part, washer 810926 (pos. 19)
Accessories III	21	Specification	3	New part, washer 810926 (pos. 19)
Accessories III 22:9	Exploded view	1	New parts, locking ring (pos. 1) and front bayonet (pos. 2) available separately	
Accessories III 22:9	Specification	0	New page, see the above	
Accessories III 25:5	Specification	1	Pos. 3 front tube, part No. changed to ADK1368Q	
Accessories III 30:2	Exploded view	1	418409 foam rubber strip, removed	
Accessories III 30:2	Specification	1	418409 foam rubber strip, removed	

<u>Service Manual</u>	<u>Page</u>	<u>Rev.</u>	<u>Change</u>
Accessories III 30:3		1	Correction of figure No. at line 14
Accessories III 31	Exploded view	0	New product, View magnifier PM/PME45
Accessories III 31	Specification	0	New product, View magnifier PM/PME45
555ELD 4:15	Reassembly	1	Updated diagram
555ELD 12	Exploded view	1	40330 front bay. plate no longer available
555ELD 12	Specification	1	40330 front bay. plate no longer available
555ELD 13	Exploded view	1	New components on the motor, capacitor 853587 (2 pcs) and ferrite 853042
555ELD 13	Specification	1	New components on the motor, capacitor 853587 (2 pcs) and ferrite 853042
555ELD 18	Specification	2	Pos. 45 screw, part No. changed to 821036
555ELD 20	Exploded view	1	Error in previous edition, pos. 9 and 28 missing
555ELD 20	Specification	1	Error in previous edition, pos. 9 and 28 missing
555ELD 21	Exploded view	1	40330 front bay. plate, no longer available
555ELD 21	Specification	1	40330 front bay. plate, no longer available
202FA 10:1	Exploded view	1	111045 front bay. plate, no longer available
202FA 10:1	Specification	1	111045 front bay. plate, no longer available
201F 10:2	Exploded view	1	108305 front bay. plate, no longer available
201F 10:2	Specification	1	108305 front bay. plate, no longer available
203 - 205 11	Exploded view	1	105045 front bay. plate, no longer available



<u>Service Manual</u>	<u>Page</u>	<u>Rev.</u>	<u>Change</u>
203 - 205	11	Specification	1 105045 front bay. plate, no longer available
503CW	3:1	Disassembly	1 Correction of part No. at line 25
503CW	4:4	Reassembly	1 Correction of part No. at line 32
503CW	5:9	Adjustment	1 Correction of part No. at line 19
503CW	5:10	Adjustment	1 Correction of text at line 31 and 32
500C/M	18:5	Specification	1 Pos. No. 4 and 5 reversed
Magazine	3	Exploded view	1 Pos. 16, new stop screw A12
Magazine	3	Specification	1 Pos. 16, new stop screw A12
Magazine	7	Exploded view	2 12552 take-up arm, no longer available
Magazine	7	Specification	2 12552 take-up arm, no longer available
Magazine	9	Exploded view	2 12552 take-up arm and 40244 spoolholder chrome, no longer available
Magazine	9	Specification	3 12552 take-up arm and 40244 spoolholder chrome, no longer available
Magazine	12	Exploded view	1 Pos. 16, new stop screw A12
Magazine	12	Specification	1 Pos. 16, new stop screw A12
Magazine	16	Specification	1 Pos. 42 screw, part No. changed to 826040
CB/CFE/CFi	00:0:02		3 Updated index of current pages
CB/CFE/CFi	00:0:03		2 Updated index of current pages
CB/CFE/CFi	01:1:11		1 Pos. 17/17b & 18/18b. Modified spring and gear
CB/CFE/CFi	01:1:12		1 Pos. 17/17b & 18/18b. Modified spring and gear